

POP ELIMINATOR

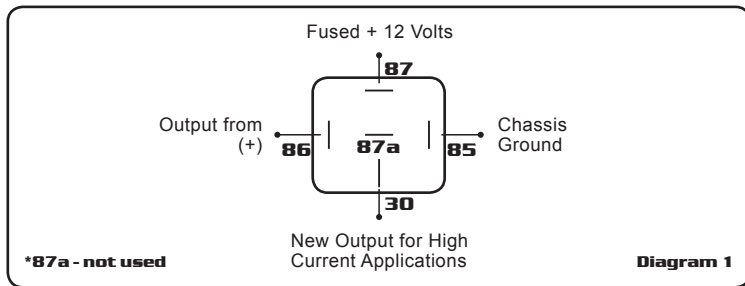
"Turn-on & Turn -off" Pop Eliminator

Installation Location: This Eliminator can be installed either at front near to the radio or with components in rear of vehicle..

Wiring Connections:

- Yellow:** + 12V constant
- Black:** chassis ground
- Blue:** turn-on Trigger
- Blue / White:** turn-on Output
- Orange:** turn-off Trigger
- Orange / White:** turn-off Output

Specification: Output is rated 500mA for both Blue/ White (turn-on Output) and Orange/ White (turn-on Output). If more than this is required than an optional relay is necessary (see diagram 1).

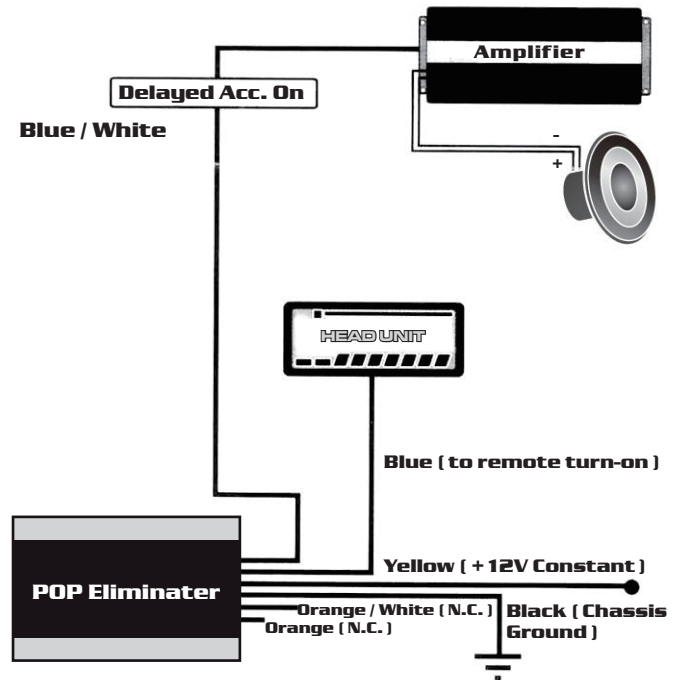


N.C. (Not need to Connect)

OPTION A - Amplifier On Pop Eliminator

AMP ON POP

On Time Delay Circuit Eliminates " Turn-On Pops"

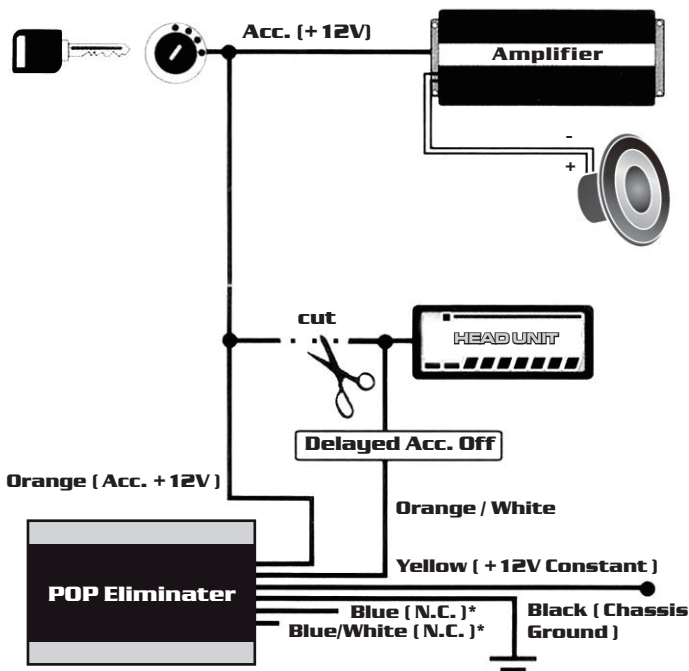


N.C. (Not need to Connect)

OPTION B - Stereo Off Pop Eliminator

STEREO OFF POP

Off Time Delay Circuit Eliminates " Stereo Off Pops"

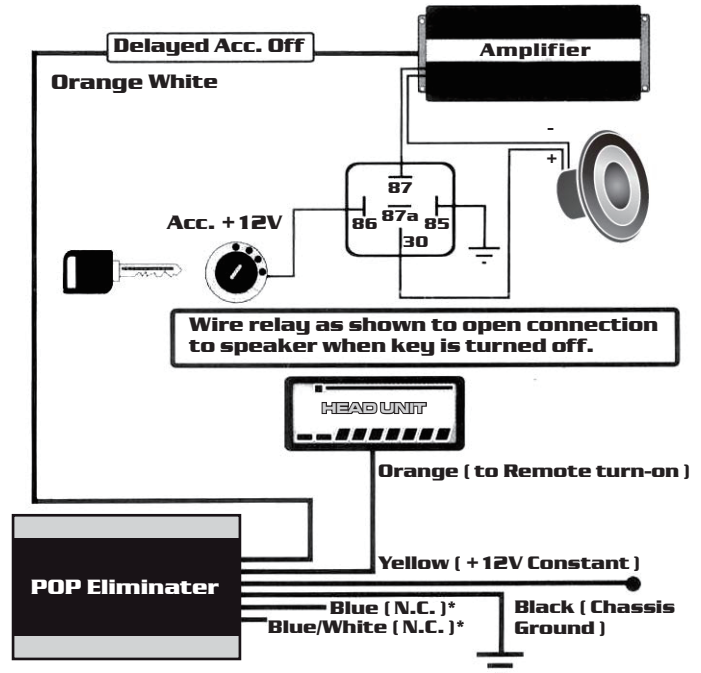


N.C. (Not need to Connect)

OPTION C - Amplifier Off Pop Eliminator

AMP OFF POP

Off Time Delay Circuit Eliminates " Amplifier Off Pops"



N.C. (Not need to Connect)