

# **KICKER®**

## **CX** | *Amplifiers*

### CX MULTI-CHANNEL AMPS CXA600.5

Owner's Manual | English

Manual del Propietario | Español  
AMPLIFICADOR DEL LA SERIE CX.5

Benutzerhandbuch | Deutsch  
VERSTÄRKER DER CX.5-SERIE

Manuel d'utilisation | Française  
AMPLIFICATEUR DE SÉRIE CX.5

**MODEL: CXA600.5**

Authorized KICKER Dealer: \_\_\_\_\_

Purchase Date: \_\_\_\_\_

Serial Number: \_\_\_\_\_

WARNING: KICKER products are capable of producing sound levels that can permanently damage your hearing! Turning up a system to a level that has audible distortion is more damaging to your ears than listening to an undistorted system at the same volume level. The threshold of pain is always an indicator that the sound level is too loud and may permanently damage your hearing. Please use common sense when controlling volume.

**PERFORMANCE****Model: CXA600.5**

RMS Power, <b>AMP1</b> and <b>AMP2</b>	
@ 14.4V, 4Ω stereo, ≤ 1% THD+N	40W x 4
@ 14.4V, 2Ω stereo, ≤ 1% THD+N	75W x 4
@ 14.4V, 4Ω mono, ≤ 1% THD+N	150W x 2
RMS Power, <b>SUB</b> channel	
@ 14.4V, 2Ω mono, ≤ 1.5 % THD+N	300W x 1
@ 14.4V, 4Ω mono, ≤ 1.5 % THD+N	150W x 1
Length [in, cm]	14, 30
Height [in, cm]	2-3/8, 6
Width [in, cm]	7-3/16, 18
Frequency Response [Hz]	<b>AMPS 1-2:</b> 10–20k <b>SUB:</b> 25–200
Signal-to-Noise Ratio [dB]	>95dB, A-weighted, re: rated power
Input Sensitivity	Low Level: 125mV–5V High Level: 250mV–10V
Selectable Electronic Crossover	HI, LO or OFF; Variable 50–200Hz @ 12dB/Octave
KickEQ™ Bass Boost	Variable 0–12dB @ 40Hz
Subsonic Filter	24dB/Octave, Fixed @ 25Hz
Remote Bass:	Yes [sold separately]

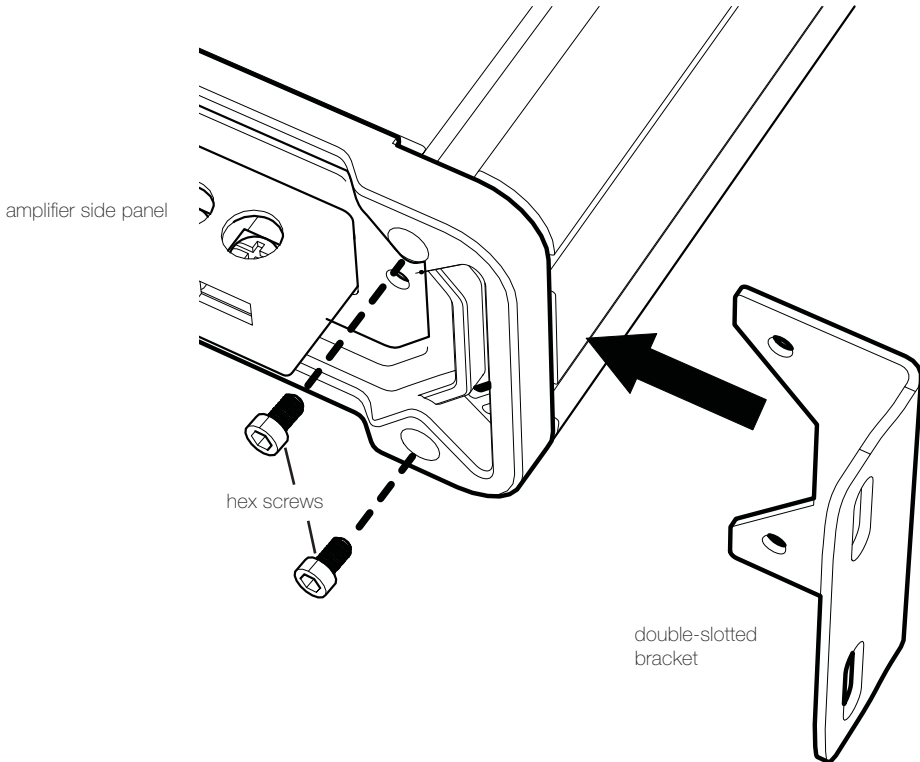
**Pro Tip:** To get the best performance from your new KICKER Amplifier and extend the warranty by 1 year, use genuine KICKER accessories and wiring.

## INSTALLATION

**Mounting:** Choose a structurally sound location to mount your KICKER amplifier. Make sure there are no items behind the area where the screws will be driven. Choose a location that allows at least 4" (10cm) of open ventilation for the amplifier. If possible, mount the amplifier in the climate-controlled passenger compartment. Drill four holes using a 7/64" (3mm) bit and use the supplied #8 screws to mount the amplifier.

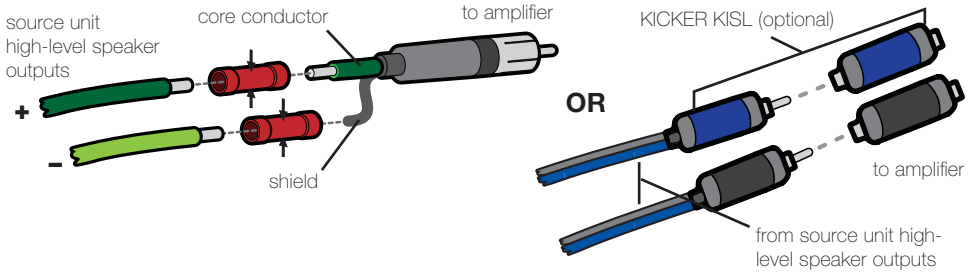
The KICKER CX Amplifiers are capable of space-saving vertical mounting. Use a 2.5mm hex key (Allen wrench) to loosen the endpanel, remove the existing brackets, then insert and tighten the double-slotted brackets to the amplifier as illustrated.

## VERTICAL MOUNTING



**Wiring:** Disconnect the vehicle's battery to avoid an electrical short. Then, connect the ground wire to the amplifier. Make the ground wire short, 24" (60cm) or less, and connect it to a paint-and-corrosion-free, solid, metal area of the vehicle's chassis. Adding an additional ground wire of this same gauge (or larger) between the battery's negative post and the vehicle chassis is recommended.

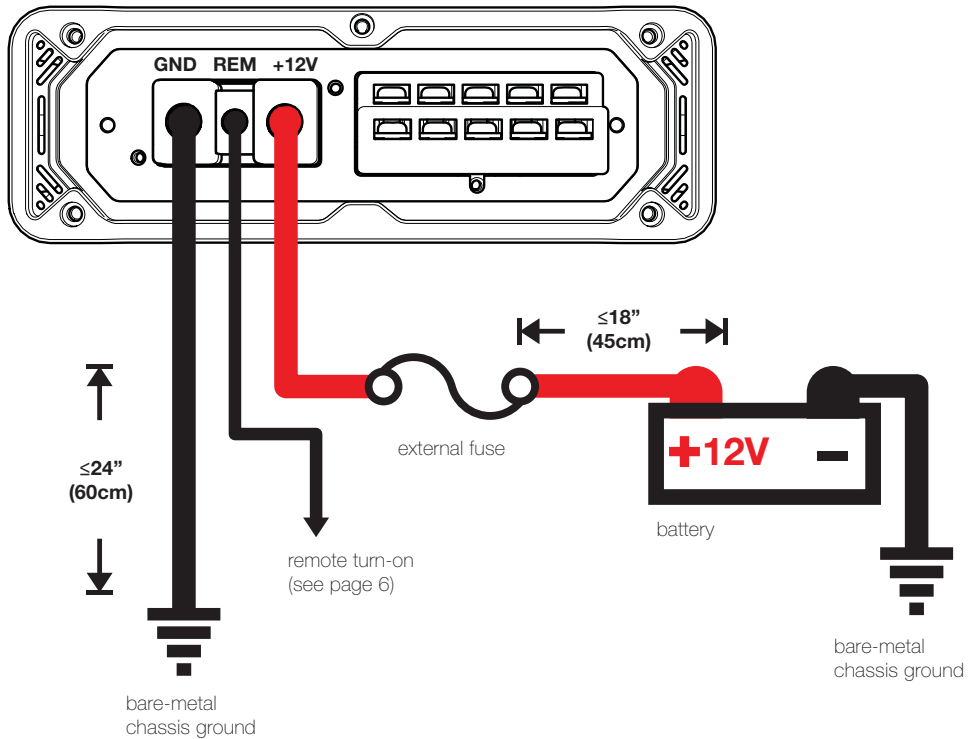
The CX amplifier has dual input sensitivity differential RCA inputs which will receive either high or low level signals from your car stereo's source unit. A high-level signal can be run from the source unit's speaker outputs to the stereo RCA input on the end panel of the amplifier using the KICKER KISL as shown (make sure you set the CX amplifier's input level switch to "HI"). Alternatively, the signal can be delivered to the amplifier using the low-level RCA outputs on the source unit. Set the input level switch on the end panel of the amplifier to "LO". Keep the audio signal cable away from factory wiring harnesses and other power wiring. If you need to cross this wiring, cross it at a 90 degree angle.

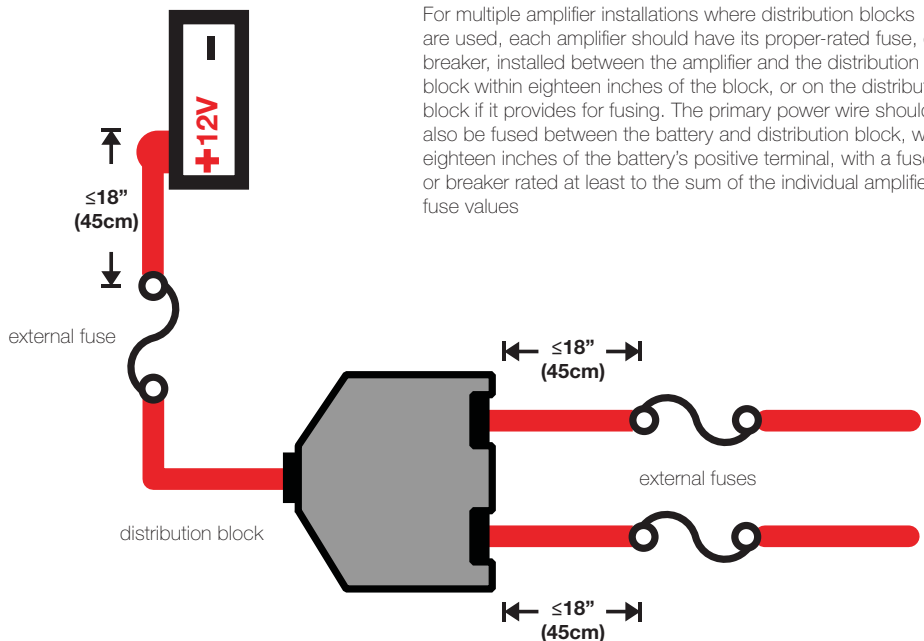


Install a fuse within 18" (45cm) of the battery and in-line with the power cable connected to your amplifier. If you ever need to remove the amplifier from the vehicle after it has been installed, the ground wire should be the last wire disconnected from the amplifier--just the opposite as when you installed it.

<b>Model</b>	<b>External Fuse (sold separately)</b>	<b>Power/Ground Wire</b>	<b>KICKER Wiring Kit</b>
CXA600.5	1 x 80 Ampere	4 Gauge	PK4, CK44, ZCK44

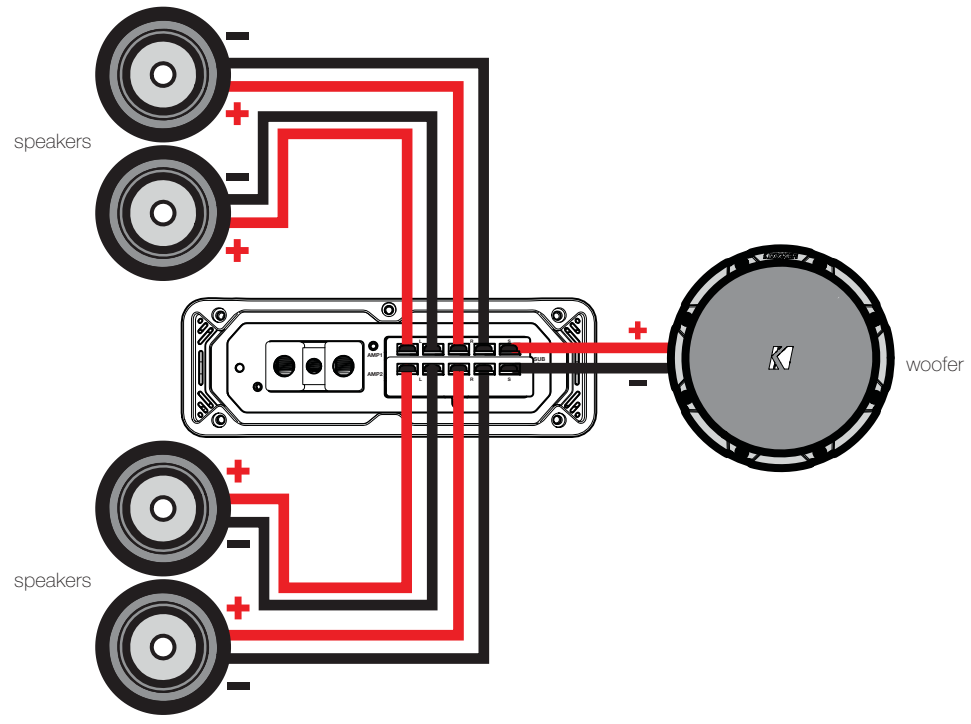
## POWER WIRING



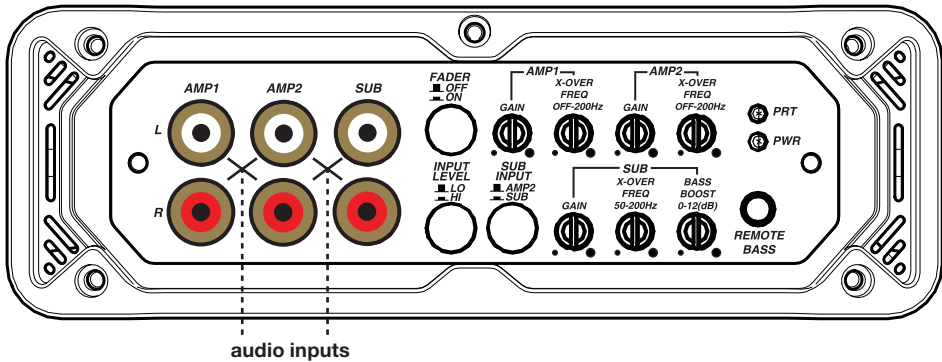


For multiple amplifier installations where distribution blocks are used, each amplifier should have its proper-rated fuse, or breaker, installed between the amplifier and the distribution block within eighteen inches of the block, or on the distribution block if it provides for fusing. The primary power wire should also be fused between the battery and distribution block, within eighteen inches of the battery's positive terminal, with a fuse or breaker rated at least to the sum of the individual amplifier's fuse values

**FOUR CHANNEL OPERATION with SUBWOOFER**  
 minimum impedance of 2 ohms per channel (AMP1, AMP2, and SUB channels)



## OPERATION



**Automatic Turn-On Selection:** The CX series offers two different automatic turn-on modes; +12V and DC Offset.

- Remote Turn-On: Run 18 gauge wire from the Remote Turn-On Lead on your source unit to the terminal labeled REM between the amplifier's positive and negative power terminals. This is the preferred automatic turn-on method.
- DC Offset Turn-On: The DC Offset mode detects a 6V DC offset from the HI-Level speaker outputs when the source unit has been turned on.

**Input Level:** The RCA inputs on KICKER CX amplifiers are capable of receiving either Hi or Low-level signals from your source unit. If the only output available from your source unit is a Hi-Level signal, simply press in the Input Level switch on the amplifier. Refer to the wiring section of this manual for additional instructions.

**Fader Switch:** Depress the fader switch if you are running two sets of inputs (front and rear for example) to the amplifier. Leave the fader switch OFF if you want to drive all channels from a single stereo input.

**Sub Input:** If there is no dedicated output on your source unit for a subwoofer, use the SUB INPUT switch to set your subwoofer input to either SUB INPUT or AMP INPUT 2.

**Input Gain Control:** The input gain control is not a volume control. It matches the output of the source unit to the input level of the amplifier. Turn the source unit up to about 3/4 volume (if the source unit goes to 30, turn it to 25). Next, slowly turn (clockwise) the gain on the amplifier up until you can hear audible distortion, then turn it down a little.

**Bass Boost Control:** The variable bass boost control on the top of the amplifier is designed to give you increased output, 0–12dB, at 40 Hz. The setting for this control is subjective. If you turn it up, you must readjust the input gain control to avoid clipping the amplifier.

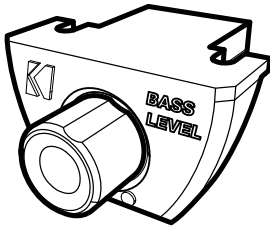
**Crossover Control:** The variable crossovers on the side panel of the amplifier allow you to adjust the crossover frequency from 50Hz–200Hz. The setting for this control is subjective; 80Hz is a good place to start.

**Remote Bass-CXARC (not included):** With the CXARC remote bass level control, you have the ability to control the output level of the amplifier remotely. To surface-mount the CXARC remote bass level control, simply screw the remote to the chosen location, then run the cable from the controller to the "Remote Bass" jack on the amplifier panel. Do **NOT** connect/disconnect while the amplifier is on. Connecting the 3.5mm cable without the remote will cause the amplifier to output at full gain, possibly damaging your speakers. See page 7.

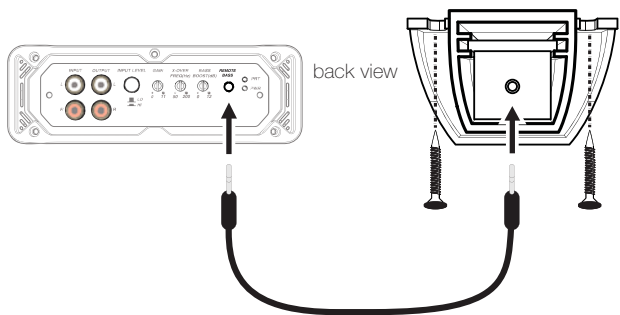
## CXARC REMOTE BASS INSTALLATION

(CXARC not included.)

Surface-mount the CXARC remote using the supplied screws.



Remote cable passes audio; do not run cable parallel to power wires.



Connect the supplied 1/8th inch [3.5mm] patch cable to the CXARC remote and the Remote Bass jack on the amplifier

### TROUBLESHOOTING

If your amplifier does not appear to be working, check the obvious things first such as blown fuses, poor or incorrect wiring connections, incorrect setting of crossover switch and gain controls, etc. There are Power (PWR) & Protection (PRT) LEDs on the side panel of your Kicker CX series amplifier. Depending on the state of the amplifier and the vehicle's charging system, the LEDs will glow either green or red. When the green LED is lit, this indicates the amplifier is turned on and no trouble exists.

**Green LED off, no output?** With a Volt Ohm Meter (VOM) check the following: **1** +12 volt power terminal (should read +12V to +16V) **2** Remote turn-on terminal (should read +12V to +16V) **3** Check for reversed power and ground connections **4** Ground terminal, for proper conductivity.

**Green LED on, no output?** Check the following: **1** RCA connections **2** Test speaker outputs with a "known" good speaker. **3** Substitute source unit with a "known" good source unit. **4** Check for a signal in the RCA cable feeding the amplifier with the VOM meter set to measure "AC" voltage.

**Red LED flickering with loud music?** The red LED indicates low battery voltage. Check all the connections in your vehicle's charging system. It may be necessary to replace or charge your vehicle's battery or replace your vehicle's alternator.

**Red LED on, no output?** **1** Amplifier is very hot = thermal protection is engaged. Test for proper impedance at the speaker terminals with a VOM meter (see the diagrams in this manual for minimum recommended impedance and multiple speaker wiring suggestions). Also check for adequate airflow around the amplifier. **2** Amplifier shuts down only while vehicle is running = voltage protection circuitry is engaged. Voltage to the amplifier is not within the 10–16 volt operating range. Have the vehicle's charging and electrical system inspected. **3** Amplifier will only play at low volume levels = short circuit protection is engaged. Check for speaker wires shorted to each other or to the vehicle chassis. Check for damaged speakers or speaker(s) operating below the minimum recommended impedance.

**No or low output?** **1** Check the balance control on source unit **2** Check the RCA (or speaker input) and speaker output connections.

**Alternator noise-whining sound with engine's RPM?** **1** Check for damaged RCA (or speaker input) cable **2** Check the routing of RCA (or speaker input) cable **3** Check the source unit for proper grounding **4** Check the gain settings and turn them down if they are set too high.

**Reduced bass response?** Reverse a speaker connection from positive to negative on the stereo/subwoofer channel(s); if the bass improves, the speaker was out of phase.



**Ground Noise?** KICKER amplifiers are engineered to be fully compatible with all manufacturers' head units. Some head units may require additional grounding to prevent noise from entering the audio signal. If you are experiencing this problem with your head unit, in most cases running a ground wire from the RCA outputs on the head unit to the chassis will remedy this issue.

**CAUTION:** When jump starting the vehicle, be sure that connections made with jumper cables are correct. Improper connections can result in blown amplifier fuses as well as the failure of other critical systems in the vehicle.

If you have more questions about the installation or operation of your new KICKER product, see the Authorized KICKER Dealer where you made your purchase. For more advice on installation, click on the SUPPORT tab on the KICKER homepage, [www.kicker.com](http://www.kicker.com). Choose the TECHNICAL SUPPORT tab, choose the subject you are interested in, and then download or view the corresponding information. Please E-mail [support@kicker.com](mailto:support@kicker.com) or call Technical Services (405) 624-8583 for unanswered or specific questions.



**KICKER will now provide a three-year warranty with all CX-Series Amplifier purchases paired with a qualifying KICKER Installation Kit\* .**

This extends the standard warranty by an additional year. *Amplifier and Kit must be purchased from an Authorized KICKER Dealer.*

KICKER CX amplifier success is currently at an unheard-of rate, making the extended warranty program even more beneficial to you.

Using poor-quality, under-spec wiring kits will impede CX amplifier performance.

**A superior-quality KICKER installation Kit is guaranteed to extend the life of CX amplifiers.**

The new extended warranty applies only to KICKER amplifiers and accessories sold to consumers by Authorized KICKER Dealers in the United States of America or its possessions. It also only applies to the original purchaser of KICKER amplifiers and accessories. One warranty extension per amplifier is allowed regardless of the number of amplifier installation kits purchased. This program does not apply to "B"-stock product or factory-refurbished product.

This offer is for a limited time, so see your local Authorized KICKER Dealer soon for details.

**\*U.S.A. Only | EE.UU. solamente | Nur USA | Les USA Seulement**



**CXA600.5**

AMPS 1 & 2: 40 x 4 @ 4 ohms  
 Signal to Noise Ratio -75dB CEA-2006B (ref: 1W, A-weighted)  
 SUB: 150 x 1 @ 4 ohms (25Hz-200Hz)  
 Signal to Noise Ratio -75dB CEA-2006B (ref: 1W, A-weighted)  
 14.4VDC, 1% THD, CEA-2006B (Watts)







# AMPLIFICADOR DE LA SERIE CX.5 MANUAL DEL PROPIETARIO

**MODELO: CXA600.5**

Distribuidor autorizado de KICKER: \_\_\_\_\_

Fecha de compra: \_\_\_\_\_

Número de serie del amplificador: \_\_\_\_\_

ADVERTENCIA: Los excitadores KICKER son capaces de producir niveles de sonido que pueden dañar permanentemente el oído. Subir el volumen del sistema hasta un nivel que produzca distorsión es más dañino para el oído que escuchar un sistema sin distorsión al mismo volumen. El dolor es siempre una indicación de que el sonido es muy fuerte y que puede dañar permanentemente el oído. Sea precavido cuando controle el volumen.

## RENDIMIENTO

**Modelo: CXA600.5**

Potencia RMS, **AMP1** y **AMP2**

@ 14.4V, 4Ω estéreo, ≤ 1% THD+N 40W x 4

@ 14.4V, 2Ω estéreo, ≤ 1% THD+N 75W x 4

@ 14.4V, 4Ω mono, ≤ 1% THD+N 150W x 2

Potencia RMS, **SUB** canal

@ 14.4V, 2Ω monofónico, ≤ 1.5% THD+N 300W x 1

@ 14.4V, 4Ω monofónico, ≤ 1.5% THD+N 150W x 1

Largo [in. cm] 14, 30

Altura [in. cm] 2-3/8, 6

Ancho [in. cm] 7-3/16, 18

Respuesta de frecuencias [Hz] **AMPS 1-2:** 10–20k

**SUB:** 25–200

Relación de señal a ruido [dB] **AMPS 1-2:** >95dB, ponderado-A, re: potencia nominal

Sensibilidad de entrada Bajo Nivel: 125mV–5V

Alto Nivel: 250mV–10V

Separador de frecuencia electrónico HI, LO, o OFF; variable 50–200Hz @ 12dB/octava

KickEQ™ Refuerzo de Bajos 0–12dB @ 40Hz variable

Filtro subsónico 24dB/Octava, Fijo @ 25Hz

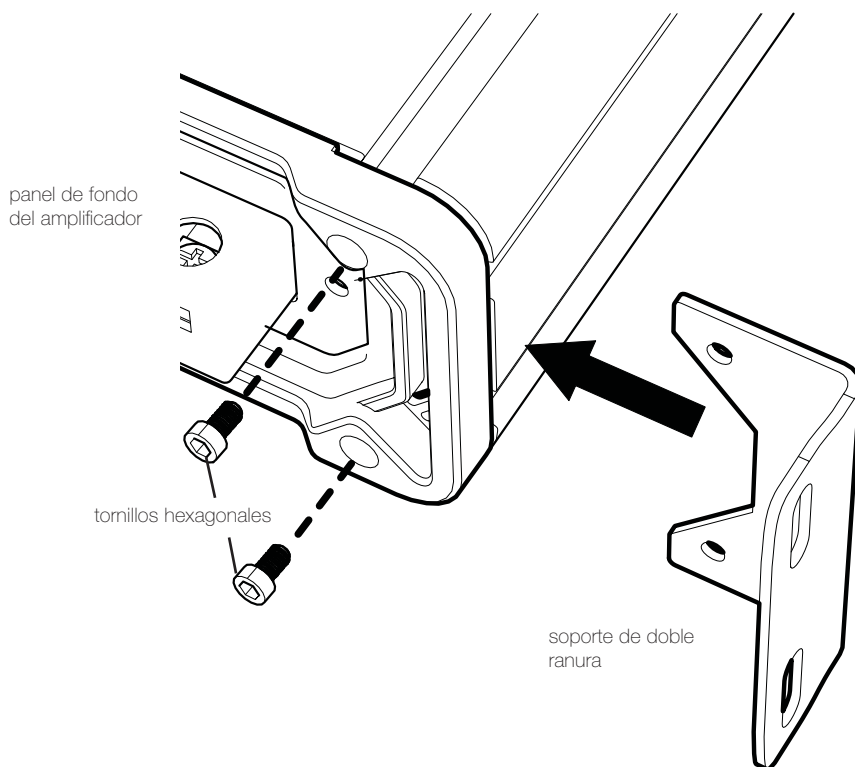
Grave remoto: Sí [se vende por separado]

**Nota:** Para obtener el mejor rendimiento de sus nuevos amplificadores KICKER, le recomendamos que use accesorios y cableado KICKER auténticos.

## INSTALACIÓN

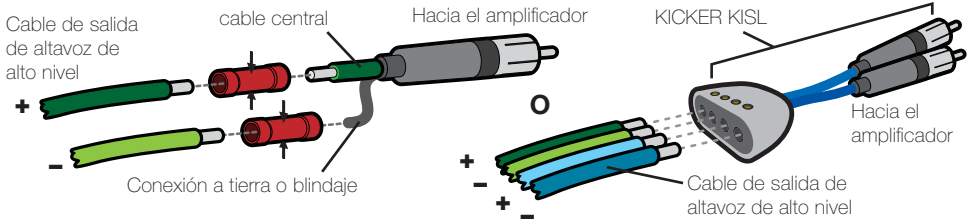
**Montaje:** Escoja un lugar estructuralmente sólido para montar el amplificador KICKER. Asegúrese de que no haya nada por detrás de dónde van a entrar los tornillos. Escoja un lugar en que queden por lo menos 4 plg. (10 cm) de espacio abierto de ventilación alrededor del amplificador. Si es posible, monte el amplificador en el compartimiento de pasajeros, con ambiente acondicionado. Haga cuatro agujeros con una broca de 7/64 de plg. (3 mm) y monte el amplificador con los tornillos N° 8 que se suministran.

Los Amplificadores CX de KICKER se pueden instalar verticalmente para ahorrar espacio. Use una llave hexagonal de 2,5mm (llave Allen) para aflojar el panel de fondo, quite los soportes existentes, luego inserte y apriete los soportes de doble ranura al amplificador como se ilustra.



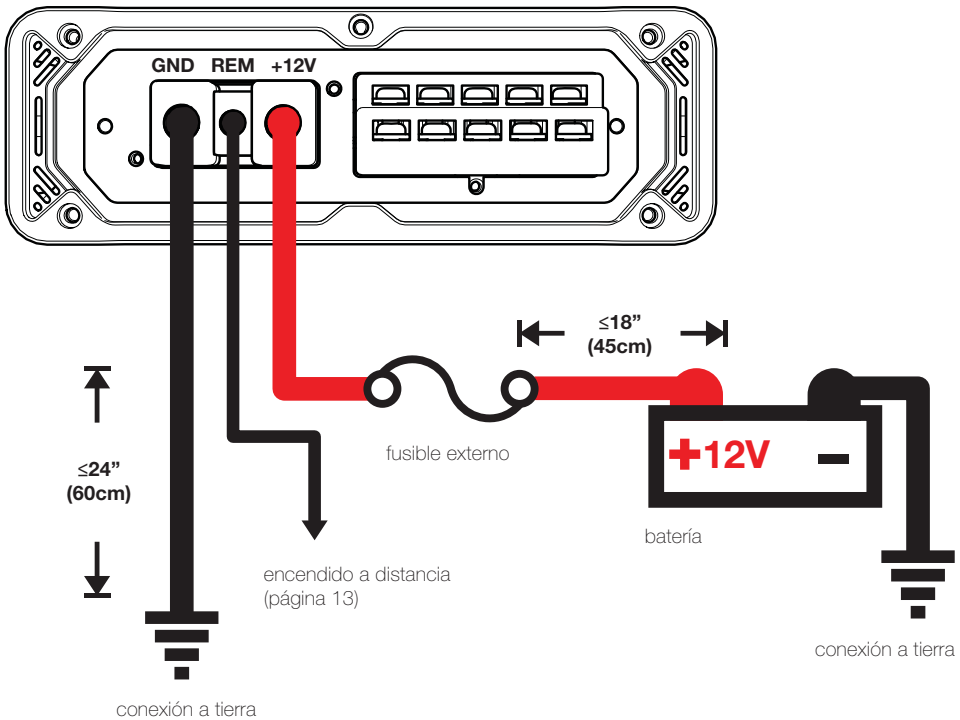
**Cableado:** Desconecte la batería del vehículo para evitar cortocircuitos. Luego, conecte un cable de conexión a tierra al amplificador. El cable de conexión a tierra debe ser corto, de 24 plg. (60 cm) o menos, y debe ir conectado a un punto sólido del chasis del vehículo en que no haya ni pintura ni corrosión. También se recomienda instalar un cable de conexión a tierra adicional, de este mismo calibre (o de mayor calibre), entre la terminal negativa de la batería y el chasis del auto.

El amplificador CX tiene entradas RCA diferenciales de doble sensibilidad de entrada que reciben señales de alto nivel o bajo nivel de la unidad fuente del sistema estereofónico del automóvil. La señal se puede llevar al amplificador desde las salidas de altavoz de alto nivel de la unidad fuente. Fije el selector de nivel de entrada del panel de extremo del amplificador en la posición de alto (HI). Engarce y suelde conectores RCA al extremo del cable de altavoz procedente de las salidas de altavoz de alto nivel de la unidad fuente y conéctelo a las entradas RCA del panel de extremo del amplificador o *simplificar la instalación mediante un KISL KICKER como se muestra a continuación*. Como alternativa, puede conectar producción de su unidad fuente a las entradas RCA del amplificador CX RCA. Fije el selector de nivel de entrada del panel de extremo del amplificador en la posición de bajo (LO). Mantenga el cable de señal de audio alejado de los arneses de cableado de fábrica y otros cables de alimentación. Si es necesario cruzar este cableado, crúzelo en un ángulo de 90°.

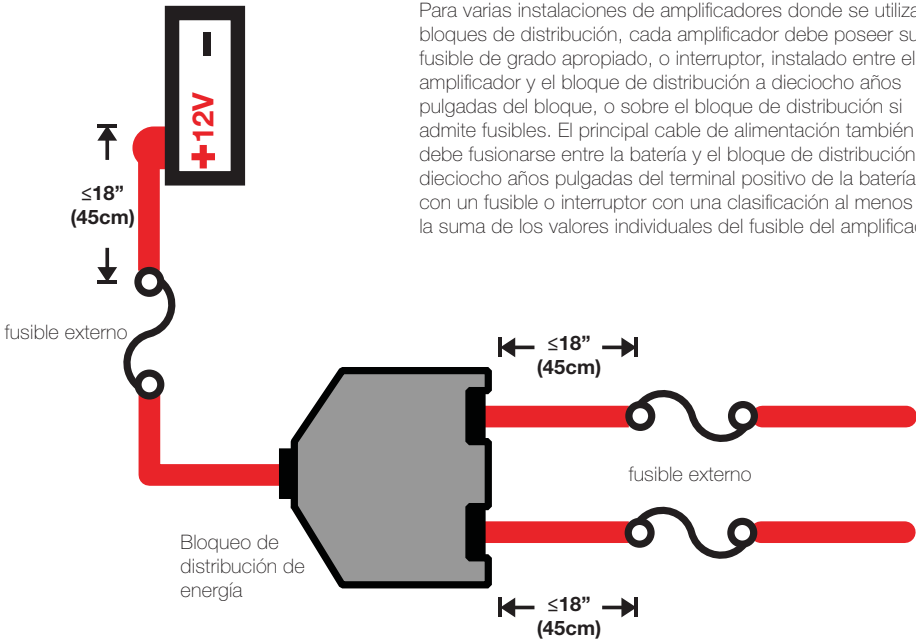


Instale un fusible a menos de 18 plg. (45 cm) de la batería y en línea con el cable de alimentación conectado al amplificador. Si alguna vez necesita desmontar el amplificador, el cable de conexión a tierra debe ser el último que se desconecte del amplificador. Exactamente lo contrario de lo que se hace cuando se instala.

<b>Modelo</b>	<b>Fusible Externo (no incluido)</b>	<b>Cable de Alimentación y Conexión a Tierra</b>	<b>Kit de cableado KICKER</b>
CXA600.5	1 x 80A	Calibre 4	PK4, CK44, ZCK44

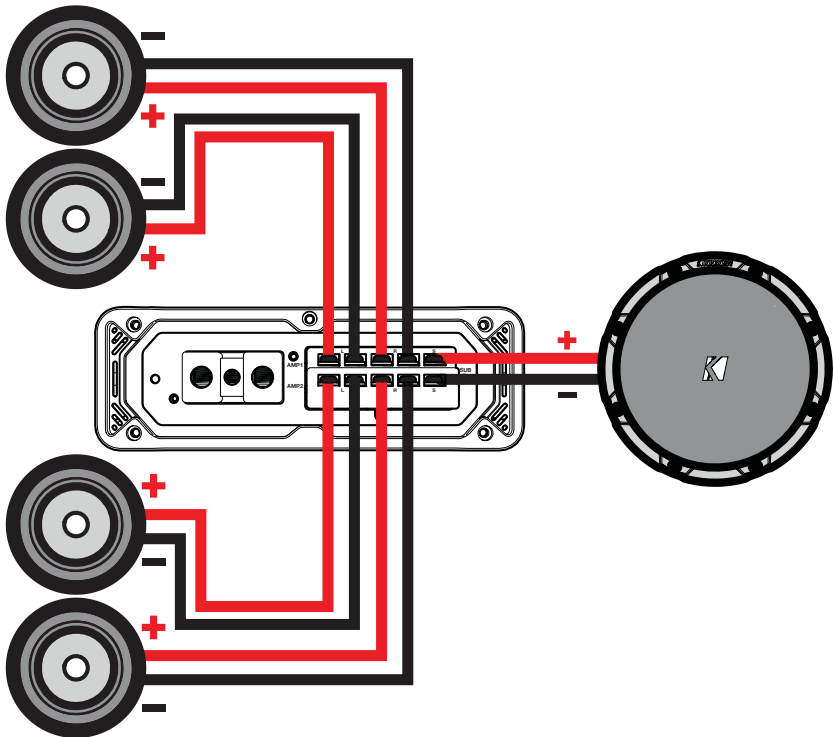


Para varias instalaciones de amplificadores donde se utilizan bloques de distribución, cada amplificador debe poseer su fusible de grado apropiado, o interruptor, instalado entre el amplificador y el bloque de distribución a dieciocho años pulgadas del bloque, o sobre el bloque de distribución si admite fusibles. El principal cable de alimentación también debe fusionarse entre la batería y el bloque de distribución, a dieciocho años pulgadas del terminal positivo de la batería, con un fusible o interruptor con una clasificación al menos de la suma de los valores individuales del fusible del amplificador.

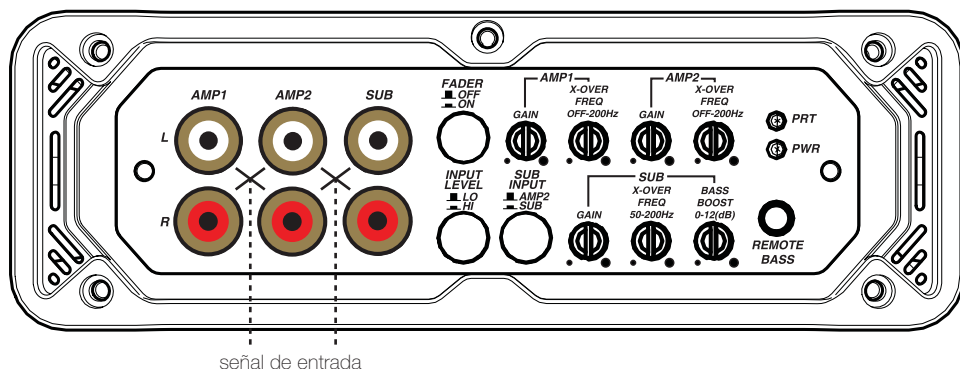


### FUNCIONAMIENTO POR CUATRO CANALES CON SUBWOOFER

impedancia mínima de 2 ohmios por canales (AMP1, AMP2, y SUB canales)



## FUNCIONAMIENTO



**Selección de Encendido Automático:** El modelo CX le ofrece dos distintos modos de encendido automático; desvío a +12V y DC.

- Encendido a Distancia: Instale cable calibre 18 desde el conductor de encendido a distancia de la unidad fuente hasta la terminal etiquetada REM entre las terminales de alimentación positiva y negativa del amplificador. Este es el método de encendido automático preferido.
- Encendido por Compensación de CC: En la modalidad de compensación de CC, el amplificador detecta una subida de 6V de las salidas de altavoz de alto nivel cuando la unidad fuente se ha encendido.

**Nivel de Entrada:** Las entradas RCA de los amplificadores CX de KICKER aceptan señales de bajo nivel o alto nivel procedentes de la unidad fuente. Si la única salida disponible de la unidad fuente es una señal de alto nivel, oprima y deje adentro el selector de nivel de entrada del amplificador. En la sección de cableado de este manual hay más instrucciones.

**Interruptor de "Fader":** Presione el interruptor de "Fader" si está ejecutando dos conjuntos de entradas (parte delantera y trasera, por ejemplo) al amplificador. Deje el interruptor de apagado, si usted quiere manejar todos los canales de entrada estéreo de un solo.

**Entrada de Subwoofer:** Si no hay salida dedicada al subwoofer en la unidad fuente, fije el selector de entrada de subwoofer (SUB INPUT) en la posición AMP2 o en la posición SUB.

**Control de Amplificación de Entrada:** El control de amplificación de entrada no es un control de volumen. El control de amplificación de entrada hace que la salida de la fuente corresponda al nivel de entrada del amplificador. Suba el volumen de la unidad fuente a  $\frac{3}{4}$  (si la unidad llega a 30, súbale el volumen a 25). A continuación, suba lentamente la amplificación (girando el control en el sentido de las manecillas del reloj) hasta que pueda oír distorsión, luego bájela un poquito.

**Refuerzo de Bajos:** El control de potenciador de graves variable a un costado del amplificador está diseñado para ofrecer una salida incrementada, 0-12dB, a 40Hz. La configuración para este control es subjetiva. Si la aumenta, puede reajustar el control de ganancia de entrada para evitar recortar el amplificador.

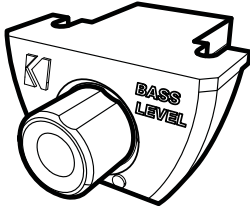
**Control de Crossover:** El separador de frecuencias variable en el costado del amplificador le permite ajustar la frecuencia del separador de frecuencia de paso bajo de 10 a 200Hz (AMPS 1 & 2) y 50 a 200Hz (SUB). La configuración para estos controles es subjetiva; 80Hz es un buen punto para empezar.

**Control Remoto de Bajos-CXARC (no incluido):** Con el control remoto de nivel de graves CXARC opcional, puede controlar a distancia el nivel de salida del amplificador. Para instalar en superficie el control remoto de nivel de graves CXARC, simplemente atornille el control en la ubicación elegida, luego extienda el cable del controlador hacia la entrada "Remote Bass" (grave remoto) en el panel del amplificador. **NO** conectar / desconectar, mientras que el amplificador está encendido. Consulte la página 14.

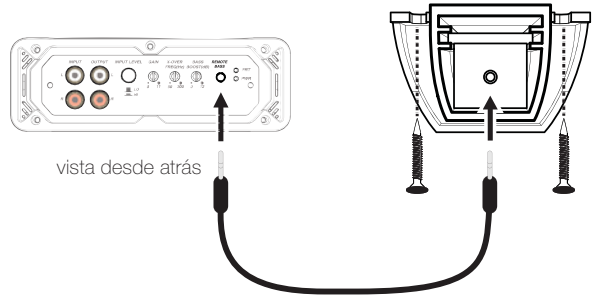
## CXARC CONTROL REMOTO DE BAJOS INSTALACIÓN

(no incluido CXARC)

Para instalar en superficie el control remoto CXARC use los tornillos suministrados.



Cable de control remoto de audio pasa, no se ejecutan en paralelo a los cables de alimentación.



Conecte el cable de extensión de 1/8 pulgadas [3.5mm] suministrado al control remoto CXARC y a la entrada de grave remoto en el amplificador.

### RESOLUCIÓN DE PROBLEMAS

Si su amplificador parece no estar funcionando, revise lo obvio primero: fusibles quemados, conexiones malas o incorrectas, posición incorrecta de los selectores de crossover y amplificación, etc. Su amplificador modelo CX de KICKER cuenta con los LED de protección (PRT) y de encendido (PWR) en el panel de alimentación lateral. Dependiendo del estado del amplificador y del sistema de carga del vehículo, los LED se iluminarán en verde o en rojo. Cuando el LED se ilumina en verde, indica que el amplificador está encendido y no hay ningún problema.

**¿El indicador luminoso LED verde está apagado y no hay salida?** Con un voltímetro/ohmímetro (VOM), verifique lo siguiente: **1** Hay +12V en la terminal de alimentación (debe leerse entre +12V y +16V). **2** Hay +12V en la terminal de encendido a distancia (debe leerse entre +12V y +16V). **3** No hay conexiones invertidas de alimentación o conexión a tierra. **4** La terminal de conexión a tierra tiene la conductividad adecuada. **5** No hay fusibles quemados.

**¿El Indicador luminoso LED verde está encendido y no hay salida?** Verifique lo siguiente: **1** Las conexiones RCA están bien. **2** Las salidas de altavoces están bien pues han sido puestas a prueba con un altavoz en buenas condiciones. **3** Se ha cambiado la unidad fuente por una unidad fuente en buenas condiciones. **4** Con un medidor VOM configurado para medir voltaje de "CA", se ha buscado una señal en el cable RCA que alimenta el amplificador.

**¿El indicador luminoso LED de "protection" destella con la música fuerte?** El indicador luminoso LED rojo indica que hay bajo voltaje de batería. Revise todas las conexiones del sistema de carga eléctrica del vehículo. Puede ser necesario cambiar o cargar la batería del vehículo o cambiar el alternador del vehículo.

**¿El indicador luminoso LED de "protection" está encendido y no hay salida?** **1** El amplificador está muy caliente = Se ha activado el circuito de protección térmica. Con un medidor VOM, compruebe que las terminales de altavoz tengan la impedancia correcta (vea en este manual los diagramas que contienen datos de impedancia mínima recomendada y sugerencias de cableado de varios altavoces). Asegúrese también de que haya un flujo de aire adecuado alrededor del amplificador. **2** El amplificador se apaga sólo cuando el vehículo está en marcha = Se ha activado el circuito de protección contra sobrevoltaje. El voltaje al amplificador no está dentro del intervalo de funcionamiento de 10V a 16V. Haga inspeccionar el sistema eléctrico y de carga eléctrica del automóvil. **3** El amplificador sólo funciona a bajo volumen = Se ha activado el circuito de protección contra cortocircuitos. Asegúrese de que los cables de los altavoces no estén en cortocircuito entre sí o con el chasis del vehículo. Vea si hay altavoces dañados o funcionando a menos de la impedancia mínima recomendada.

**¿No hay salida de uno de los canales?** **1** Revise el control de balance de la unidad fuente. **2** Revise las conexiones RCA (o de entrada de altavoz) y de salida de altavoz del canal.

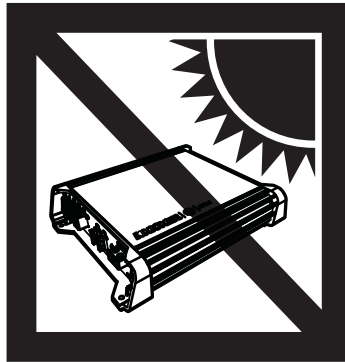
**¿Hay ruido sibilante de alternador asociado a las RPM del motor?** ❶ Vea si hay algún cable RCA (o de entrada de altavoz) dañado. ❷ Revise el encaminamiento del cable RCA (o de entrada de altavoz). ❸ Vea si la unidad fuente tiene conexión a tierra apropiada. ❹ Revise las configuraciones de amplificación y bájelas si están muy altas.

**¿Hay baja respuesta de bajos?** Invierta la conexión de uno de los altavoces de positiva a negativa en los canales estéreo-fónicos y/o de subwoofer; si los bajos mejoran, el altavoz estaba fuera de fase.

**¿Hay ruido de conexión a tierra?** Los amplificadores KICKER son totalmente compatibles con las unidades fuente de todos los fabricantes. Algunas unidades principales pueden necesitar más conexión a tierra para evitar que entre ruido a la señal de audio. En la mayoría de los casos, este problema con la unidad principal se resuelve instalando un cable de conexión a tierra desde las salidas RCA de la unidad principal al chasis.

**PRECAUCIÓN:** Cuando haga arrancar el vehículo con cables de arranque conectados a una batería externa, asegúrese de que las conexiones de los cables de arranque sean correctas. Conectar los cables de arranque de manera incorrecta puede quemar los fusibles del amplificador y causar fallas en otros sistemas del vehículo.

Si tiene más preguntas sobre la instalación de su nuevo producto KICKER, vaya al distribuidor autorizado de KICKER donde lo compró. Si necesita más consejos sobre la instalación, haga clic en la lengüeta SUPPORT (apoyo) de la página Web de KICKER, [www.kicker.com](http://www.kicker.com). Escoja la lengüeta TECHNICAL SUPPORT (apoyo técnico), escoja el tema que le interese y luego descargue o vea la información correspondiente. Envíe un mensaje por correo electrónico a [support@kicker.com](mailto:support@kicker.com) o comuníquese con Servicios Técnicos llamando al (405) 624-8583 si tiene preguntas específicas o a las cuales no haya encontrado respuesta.



#### **CXA600.5**

40 x 4 @ 4 ohmios (20Hz–20,000Hz)

Relación de Señal a Ruido -75dB CEA-2006B (ref: 1W, ponderado en A)

150 x 1 @ 4 ohmios (25Hz–200Hz)

Relación de Señal a Ruido -75dB CEA-2006B (ref: 1W, ponderado en A)

14.4VCC, 1% THD, CEA-2006B (W)

**MODELL: CXA600.5**

Autorisierter KICKER-Händler: \_\_\_\_\_

Kaufdatum: \_\_\_\_\_

Verstärker-Seriennummer: \_\_\_\_\_

WARNUNG: KICKER-Treiber können einen Schallpegel erzeugen, der zu permanenten Gehörschäden führen kann! Wenn Sie ein System auf einen Pegel stellen, der hörbare Verzerrungen erzeugt, schadet das Ihren Ohren mehr, als ein nicht verzerrtes System auf dem gleichen Lautstärkepegel. Die Schmerzschwelle ist immer eine Anzeige dafür, dass der Schallpegel zu laut ist und zu permanenten Gehörschäden führen kann. Seien Sie bei der Lautstärkeinstellung bitte vernünftig!

**LEISTUNG****Modell:****CXA600.5**RMS-Leistung, **AMP1** und **AMP2**

@ 14.4V, 4Ω stereo, ≤ 1% Gesamtklirrfaktor	40W x 4
@ 14.4V, 2Ω stereo, ≤ 1% Gesamtklirrfaktor	75W x 4
@ 14.4V, 4Ω mono, ≤ 1% Gesamtklirrfaktor	150W x 2

RMS-Leistung, **SUB** kanal

@ 14.4V, 2Ω mono, ≤ 1,5% Gesamtklirrfaktor	300W x 1
@ 14.4V, 4Ω mono, ≤ 1,5% Gesamtklirrfaktor	150W x 1

Länge [Zoll, cm] 14, 30

Höhe [Zoll, cm] 2-3/8, 6

Breite [Zoll, cm] 7-3/16, 18

Frequenzgang [Hz] **AMPS 1 - 2:** 10 – 20 k  
**SUB:** 25 – 200

Rauschabstand [dB] &gt;95 dB, A-bewertet: Nennleistung

Eingangsempfindlichkeit N-Pegel: 125mV–5V  
H-Pegel: 250mV–10V

Elektronischer Trennfrequenzregler HI, LO, oder OFF; 50 – 200 Hz @ 12 dB/Oktave

KickEQ™ Bass-Boost Variabel 0 – 12 dB bei 40 Hz

Unterschallfilter 24 dB/Oktave, fest bei 25 Hz

Remote-Bass Ja (separat erhältlich)

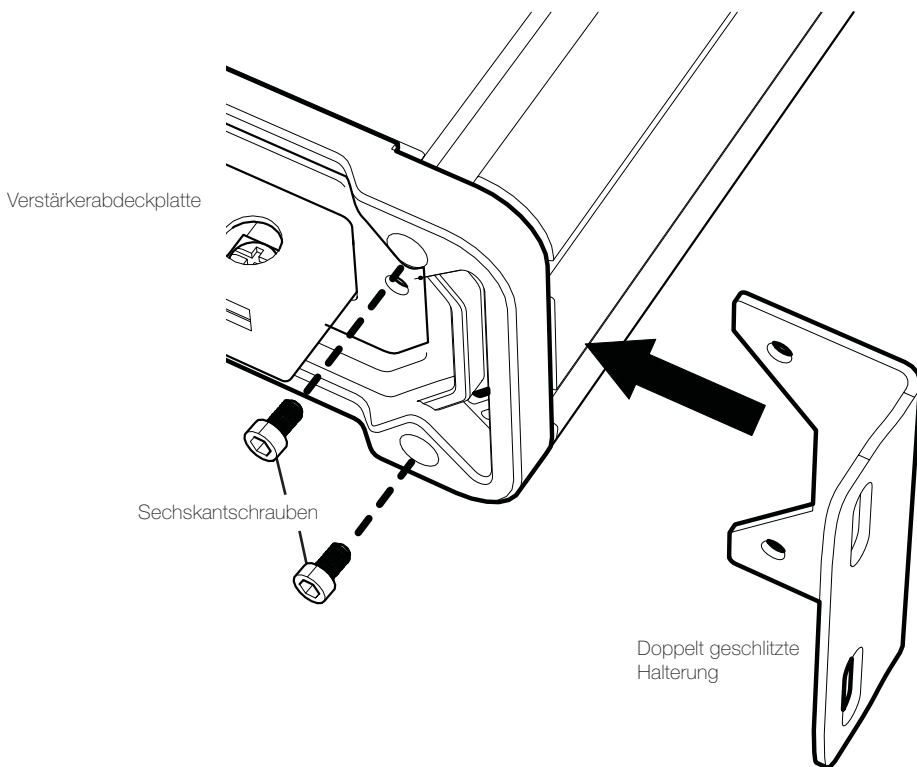
**Hinweis:** Um das Maximum aus Ihrem neuen KICKER-Verstärker herauszuholen, sollten Sie echtes KICKER-Zubehör und KICKER-Kabel verwenden.



## INSTALLATION

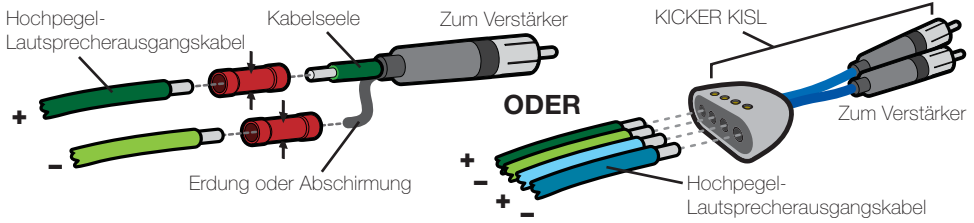
**Befestigung:** Wählen Sie für die Installation des KICKER-Verstärkers eine strukturell stabile Stelle. Vergewissern Sie sich, dass sich hinter der Einschraubposition der Schrauben nichts befindet. Wählen Sie eine Stelle, die mindestens 10 cm Lüftungsfreiraum für den Verstärker bietet. Installieren Sie, wenn möglich, den Verstärker im klimatisierten Fahrgastraum. Bohren Sie mit einem 3-mm-Bohrer vier Löcher und verwenden Sie die beiliegenden Nr. 8-Schrauben zur Befestigung des Verstärkers.

Die KICKER CX-Verstärker können vertikal montiert werden, um Platz zu sparen. Schrauben Sie die Abdeckplatte mit einem 2,5 mm Innensechskantschlüssel ab, entfernen Sie die vorhandenen Halterungen und bringen Sie die doppelt geschlitzten Halterungen am Verstärker an.



**Anschluss:** Trennen Sie den Anschluss der Fahrzeugbatterie, um einen Kurzschluss zu vermeiden. Schließen Sie dann das Massekabel an den Verstärker an. Verwenden Sie ein kurzes Erdungskabel (maximal 60 cm) und schließen Sie es an eine lack- oder korrosionsfreie Metallstelle an der Fahrzeugkarosserie an. Es wird auch empfohlen, ein weiteres Massekabel mit gleicher (oder größerer) Drahtstärke zwischen dem negativen Pol der Autobatterie und der Fahrzeugkarosserie zu verwenden.

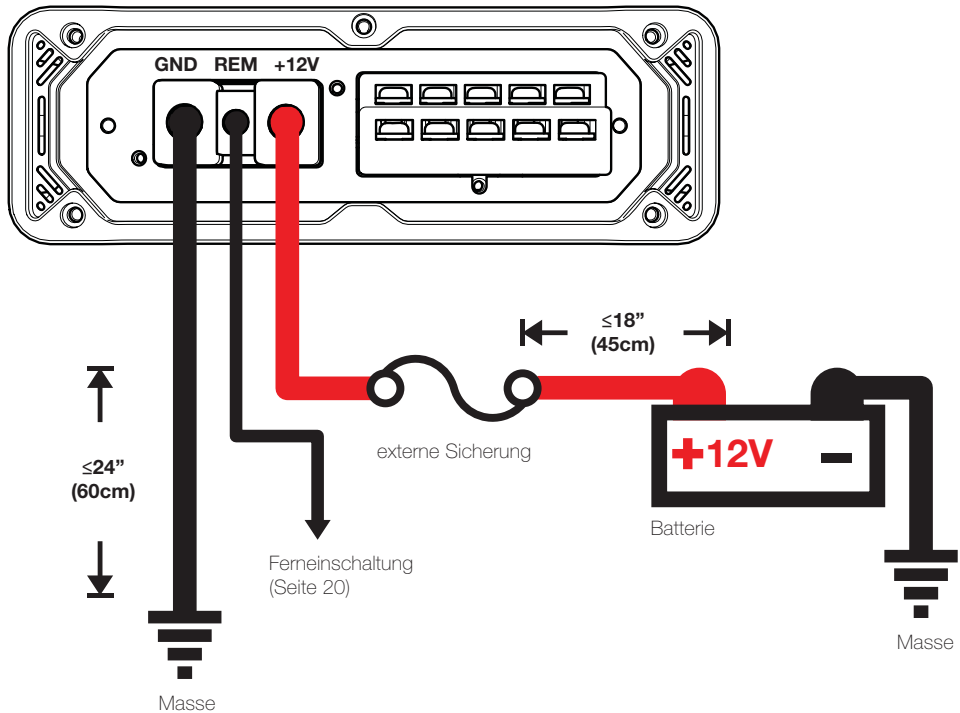
Der CX-Verstärker hat zwei RCA-Eingänge mit Eingangsempfindlichkeits-Differential, die entweder Hoch- oder Niederpegelsignale vom Autoradio empfangen. Kann das Signal mit den Hochpegel-Lautsprecherausgängen am Autoradio an den Verstärker übertragen werden. Stellen Sie den Eingangspegelschalter an der Endplatte des Verstärkers auf „HI“. Crimpen und löten Sie die RCA-Stecker an das Ende des Lautsprecherkabels von den Hochpegel-Lautsprecherausgängen am Autoradio und verbinden Sie das Kabel mit den RCA-Eingängen an der Endplatte des Verstärkers, oder Vereinfachung der Installation, indem Sie ein KICKER KISL wie unten gezeigt. Alternativ können Sie Ihre Quelle Einheit Cinch-Ausgänge zum CX Verstärker Cinch-Eingänge anschließen. Stellen Sie den Eingangspegelschalter an der Endplatte des Verstärkers auf „LO“. Achten Sie beim Verlegen dieser Audiokabel darauf, dass sie Werks-Kabelbäume und andere Stromkabel nicht berühren. Wenn Sie die Kabel überkreuzen müssen, tun Sie dies in einem 90-Grad-Winkel.

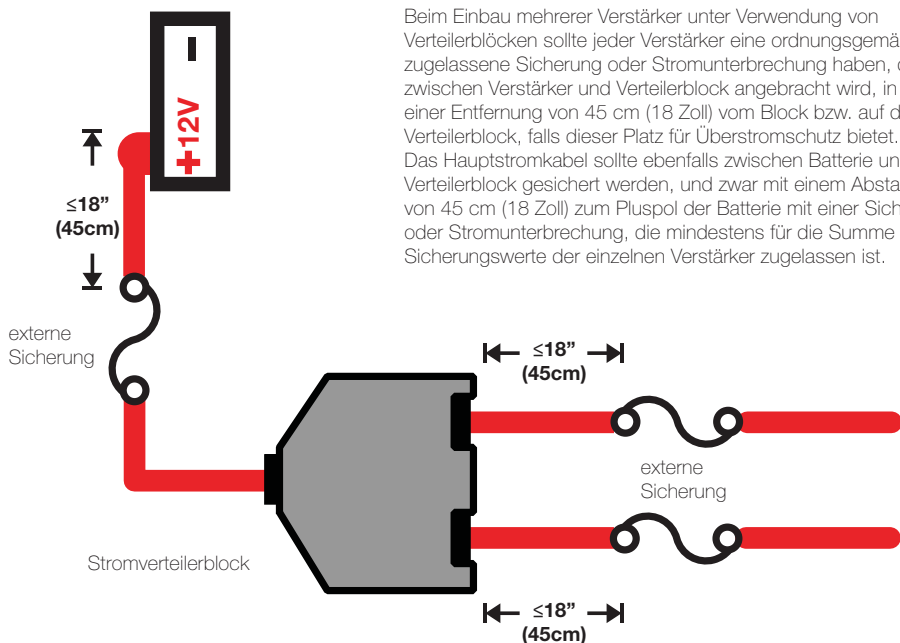


Installieren Sie in maximal 45 cm Entfernung von der Batterie eine Sicherung in Reihe mit dem Stromkabel zum Verstärker. Wenn Sie je den Verstärker nach der Installation aus dem Fahrzeug ausbauen müssen, sollte die Masseleitung als letzte vom Verstärker getrennt werden, genau in der umgekehrten Reihenfolge wie bei der Installation.

<b>Modell</b>	<b>Externe Sicherung (nicht inbegriffen)</b>	<b>Massekabel</b>	<b>KICKER Verkabelungssatz</b>
---------------	--	-------------------	--------------------------------

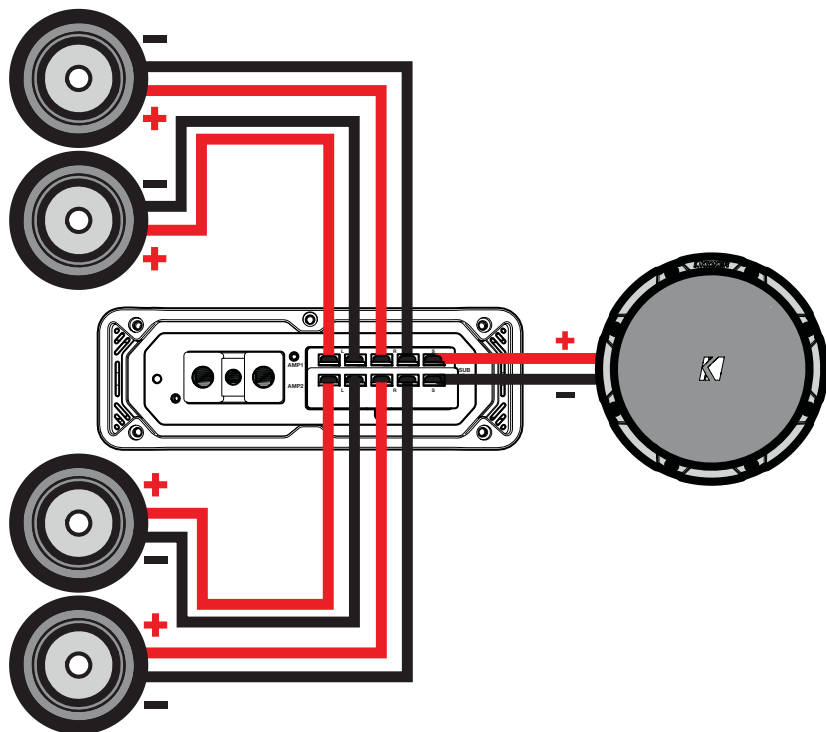
CXA600.5	1 x 80 Ampere	4 GA	PK4, CK44, ZCK44
----------	---------------	------	------------------



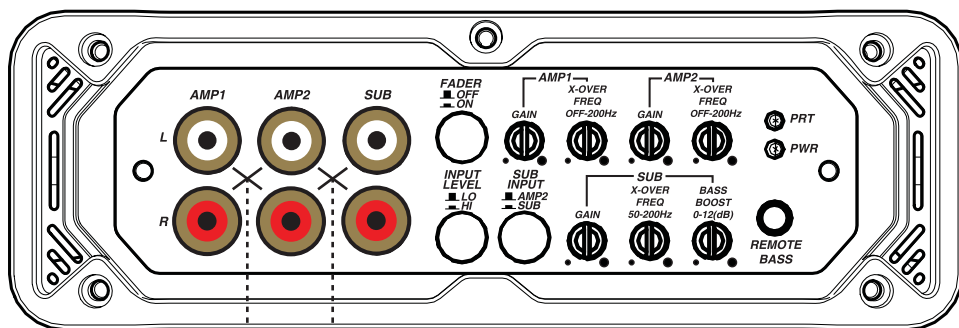


## VIERKANALBETRIEB MIT SUBWOOFER

Minimal impedanz von 2 Ohm pro Kanal (AMP1, AMP2, und SUB Kanäle)



## BETRIEB



Signaleingang

**Automatische Einschaltung:** Die CX-Serie umfasst zwei automatische Einschaltmodi: +12V und DC Offset.

- Remote Turn-On (Fernschaltung): Verlegen Sie 18 GA-Kabel von der Fernschaltung an Ihrem Autoradio zum REM-Terminal zwischen den positiven und negativen Stromanschlüssen des Verstärkers. Das ist die bevorzugte automatische Einschaltungsmethode.
- DC Offset-Einschaltung: Der DC Offset-Modus entdeckt nach Einschalten des Autoradios einen 6-Volt-Anstieg an den Hochpegel-Lautsprecherausgängen.

**Eingangspegel:** Die RCA-Eingänge an KICKER CX-Verstärkern können entweder Hoch- oder Niederpegelsignale vom Autoradio empfangen. Wenn nur ein H-Pegel-Signal vom Autoradio verfügbar ist, drücken Sie einfach den Schalter „Input Level“ am Verstärker. Weitere Hinweise finden Sie im Abschnitt „Anschluss“.

**Fader-Schalter:** Drücken Sie den Fader-Schalter, wenn Sie mit zwei der Eingänge (vorne und hinten zum Beispiel) an den Verstärker. Lassen Sie den Schalter aus, wenn Sie alle Kanäle aus einer Stereo-Eingang fahren möchten.

**„Sub Input“:** Wenn Ihr Autoradio keinen speziellen Ausgang für den Subwoofer hat, stellen Sie den Subwoofer-Eingang mit dem Schalter SUB INPUT auf SUB INPUT oder AMP INPUT 2.

**Eingangsverstärkungsregler:** Der Eingangsverstärkungsregler ist kein Lautstärkereglern. Er passt den Ausgang des Autoradios an den Eingangspegel am Verstärker an. Stellen Sie das Autoradio auf etwa 3/4 der Lautstärke ein (wenn es also bis 30 geht, wählen Sie 25). Drehen Sie dann langsam den Verstärkungsregler am Verstärker (im Uhrzeigersinn), bis Sie eine hörbare Verzerrung feststellen. Drehen Sie ihn dann wieder etwas zurück.

**Bass-Boost-Regler:** Der variable Bass-Boost-Regler an der Seite des Verstärkers ermöglicht eine Bassanhebung (0 – 12 dB) bei 40 Hz. Die Einstellung für diesen Regler ist subjektiv. Wenn Sie den Regler aufdrehen, müssen Sie den Eingangsverstärkungsregler entsprechend anpassen, um eine Amplitudenbegrenzung des Verstärkers zu verhindern.

**Crossover-Regler:** Mit dem Trennfrequenzregler an der Seite des Verstärkers können Sie die Trennfrequenz zwischen 10 bis 200 Hz (AMP 1 & 2) und 50 bis 200 Hz (SUB) anpassen. Die Einstellung für diesen Regler ist subjektiv. Ein guter Ausgangswert ist 80 Hz.

**Basspegel-Fernbedienung-CXARC (nicht inbegriffen).** Mit dem optionalen CXARC-Remote-Bassregler können Sie den Ausgabepegel des Verstärkers remote steuern. Um den CXARC-Remote-Bassregler auf einer Fläche zu montieren, schrauben Sie den Remote-Regler an der gewünschten Fläche an und leiten Sie das Kabel vom Controller zur "Remote-Bass"-Steckerbuchse am Verstärker. **NICHT** verbinden / trennen, während der Verstärker eingeschaltet ist (siehe Seite 21).

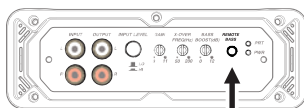
## CXARC BASSPEGEL-FERNBEDIENUNG INSTALLATION

(CXARC nicht inbegriffen.)

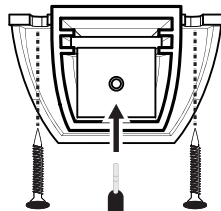


Remote-Kabel geht Audio-,  
Kabel laufen nicht parallel  
zum Stromkabel.

Montieren Sie den CXARC-Remote-Regler mit den mitgelieferten  
Schrauben.



Rückansicht



Stecken Sie das mitgelieferte 1/8 Zoll [3,5mm] Patchkabel in den CXARC-  
Remote-Regler und in die "Remote-Bass"-Steckerbuchse am Verstärker.

### PROBLEMBEHEBUNG

Wenn der Verstärker nicht zu funktionieren scheint, sollten Sie zuerst offensichtliche Faktoren prüfen, wie durchgebrannte Sicherungen, schlechte oder fehlerhafte Verkabelung, inkorrekte Einstellung des Crossover-Schalters und der Verstärkungsregler etc. Am seitlichen Einschaltfeld des Kicker CX-Verstärkers befinden sich eine Netz-LED (PWR) und eine Schutz-LED (PRT). Abhängig vom Einschaltzustand des Verstärkers und des Ladesystems des Fahrzeugs leuchten die LED-Anzeigen grün oder rot. Eine grün LED zeigt an, dass der Verstärker eingeschaltet ist und einwandfrei funktioniert.

**Grüne LED aus, keine Ausgabe?** Testen Sie mit einem Volt-Ohm-Messgerät (VOM) Folgendes: **1** +12 Volt Stromanschluss (Wert sollte +12V bis +16V sein) **2** Ferneinschaltung (Wert sollte +12V bis +16V sein) **3** Prüfen, ob Netz- und Masseanschlüsse falsch gepolt sind. **4** Masseanschluss, auf korrekte Leitfähigkeit. **5** Prüfen, ob Sicherungen durchgebrannt sind.

**Grüne LED an, keine Ausgabe?** Prüfen Sie Folgendes: **1** RCA-Anschlüsse **2** Lautsprecheranschlüsse mit „gutem“ Lautsprecher testen. **3** Autoradio durch ein „gutes“ Autoradio ersetzen. **4** Prüfen Sie mit dem VOM-Messgerät, das auf Wechselspannung eingestellt ist, die RCA-Zuleitung des Verstärkers auf ein Signal.

**Schutz-LED blinkt bei lauter Musik?** Die rote LED zeigt eine niedrige Batteriespannung an. Prüfen Sie alle Verbindungen im Ladesystem Ihres Fahrzeugs. Sie müssen eventuell die Fahrzeugbatterie aufladen oder ersetzen oder die Lichtmaschine auswechseln.

**Schutz-LED an, keine Ausgabe?** **1** Der Verstärker ist sehr heiß = Der Überhitzungsschutz ist aktiviert. Testen Sie den Widerstand an den Lautsprecheranschlüssen mit einem VOM-Messgerät (die Diagramme in dieser Anleitung zeigen die empfohlenen Mindestwiderstände und Vorschläge für den Anschluss mehrerer Lautsprecher). Prüfen Sie auch, ob der Verstärker ausreichende Lüftung hat. **2** Der Verstärker schaltet sich nur während der Fahrt aus = Der Spannungsschutz ist aktiviert. Die Spannung am Verstärker liegt außerhalb des Betriebsbereichs von 10–16 Volt. Lassen Sie das Lade- und Elektriksystem des Fahrzeugs inspizieren. **3** Der Verstärker erzeugt nur geringe Lautstärke = Die Kurzschluss-Sicherung ist aktiviert. Prüfen Sie, ob Lautsprecherkabel miteinander oder mit der Karosserie Kurzschlüsse erzeugen. Prüfen Sie, ob beschädigte oder unterhalb des Mindestwiderstands funktionierende Lautsprecher vorliegen.

**Keine Ausgabe aus einem Kanal?** **1** Prüfen Sie den Balanceregler am Autoradio. **2** Prüfen Sie die RCA- oder Lautsprechereingangskabel und -ausgänge für den Kanal.



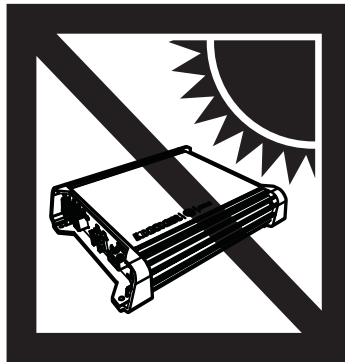
**Lichtmaschine erzeugt bei steigender Motordrehzahl heulendes Geräusch?** ❶ Prüfen Sie, ob das RCA- oder Lautsprechereingangskabel defekt ist. ❷ Prüfen Sie den Verlauf des RCA- oder Lautsprechereingangskabels. ❸ Prüfen Sie, ob das Autoradio richtig geerdet ist. ❹ Prüfen Sie die Verstärkungseinstellungen und reduzieren Sie diese ggf.

**Verringerte Basswiedergabe?** Wechseln Sie einen Lautsprecheranschluss an den Stereo-/Subwooferkanälen von Positiv zu Negativ; wenn der Bass nun besser klingt, war der Lautsprecher phasenverschoben.

**Störung durch Erdung?** KICKER-Verstärker sind mit den Autoradios aller Hersteller kompatibel. Manche Autoradios erfordern eventuell weitere Erdung, um Störungen am Audiosignal zu verhindern. Wenn Sie Probleme mit dem Autoradio haben, reicht es meist, ein Massekabel von den RCA-Ausgängen am Autoradio zur Karosserie zu verlegen.

**ACHTUNG:** Wenn Sie das Auto mit Starthilfekabel starten, müssen Sie sicherstellen, dass die Kabel korrekt angeschlossen sind. Falsche Anschlüsse können zu einem Durchbrennen der Verstärkersicherung und einem Ausfall anderer wichtiger Systeme im Fahrzeug führen.

Wenn Sie weitere Fragen zur Installation oder zum Betrieb Ihres neuen KICKER-Produkts haben, setzen Sie sich bitte mit Ihrem autorisierten KICKER-Fachhändler in Verbindung. Weitere Installationshinweise finden Sie, indem Sie auf der KICKER-Startseite ([www.kicker.com](http://www.kicker.com)) auf die Registerkarte SUPPORT klicken. Wählen Sie das Register TECHNICAL SUPPORT und dann das gewünschte Thema, um die entsprechenden Informationen anzuzeigen oder herunterzuladen. Wenn Sie spezifische oder nicht beantwortete Fragen haben, erreichen Sie den Kundendienst unter [support@kicker.com](mailto:support@kicker.com) oder telefonisch unter +1 (405) 624-8583.



**CXA600.5**

40 x 4 @ 4 ohms (20Hz–20,000Hz)  
 Rauschabstand -75dB CEA-2006B (ref: 1W, A-gewichtet)  
 150 x 1 @ 4 ohms (25Hz–200Hz)  
 Rauschabstand -75dB CEA-2006B (ref: 1W, A-gewichtet)  
 14.4V GS, 1% Klirrfaktor, CEA-2006B (Watts)





## AMPLIFICATEUR SÉRIE CX.5 MANUEL D'UTILISATION

**MODÈLE:** **CXA600.5**

Revendeur agréé KICKER : \_\_\_\_\_

Date d'achat : \_\_\_\_\_

Numéro de série de l'amplificateur : \_\_\_\_\_

AVERTISSEMENT: Les haut-parleurs KICKER ont la capacité de produire des niveaux sonores pouvant endommager l'ouïe de façon irréversible ! L'augmentation du volume d'un système jusqu'à un niveau présentant une distorsion audible endommage davantage l'ouïe que l'écoute d'un système sans distorsion au même volume. Le seuil de la douleur est toujours le signe que le niveau sonore est trop élevé et risque d'endommager l'ouïe de façon irréversible. Réglez le volume en faisant preuve de bon sens!

### PERFORMANCES

#### Modèle:

#### CXA600.5

Puissance Efficace

@ 14.4V, 4Ω stéréo, ≤ 1% THD+N

40W x 4

@ 14.4V, 2Ω stéréo, ≤ 1% THD+N

75W x 4

@ 14.4V, 4Ω mono, ≤ 1% THD+N

150W x 2

Puissance Efficace

@ 14.4V, 2Ω mono, ≤ 1,5% THD+N

300W x 1

@ 14.4V, 4Ω mono, ≤ 1,5% THD+N

150W x 1

Longueur [pouces, cm]

14, 30

Hauteur [pouces, cm]

2-3/8, 6

Largeur [pouces, cm]

7-3/16, 18

Réponse en Fréquence [Hz]

**AMPS 1-2** : 10–20 k

**SOUS-** : 25–200

Rapport Signal sur Bruit [dB]

>95dB, Niveau acoustique pondéré A, cf. : puissance nominale

Sensibilité d'Entrée

Bas niveau: 125mV–5V

Haut niveau: 250mV–10V

Répartiteur électronique

HI, LO, ou OFF; 50–200Hz, 12dB/octave ;

KickEQ™ Amplification des Graves

Variable 0 à 12 dB à 40 Hz

Filtre Subsonique

24 dB/Octave, fixé à 25 Hz

Basse à distance :

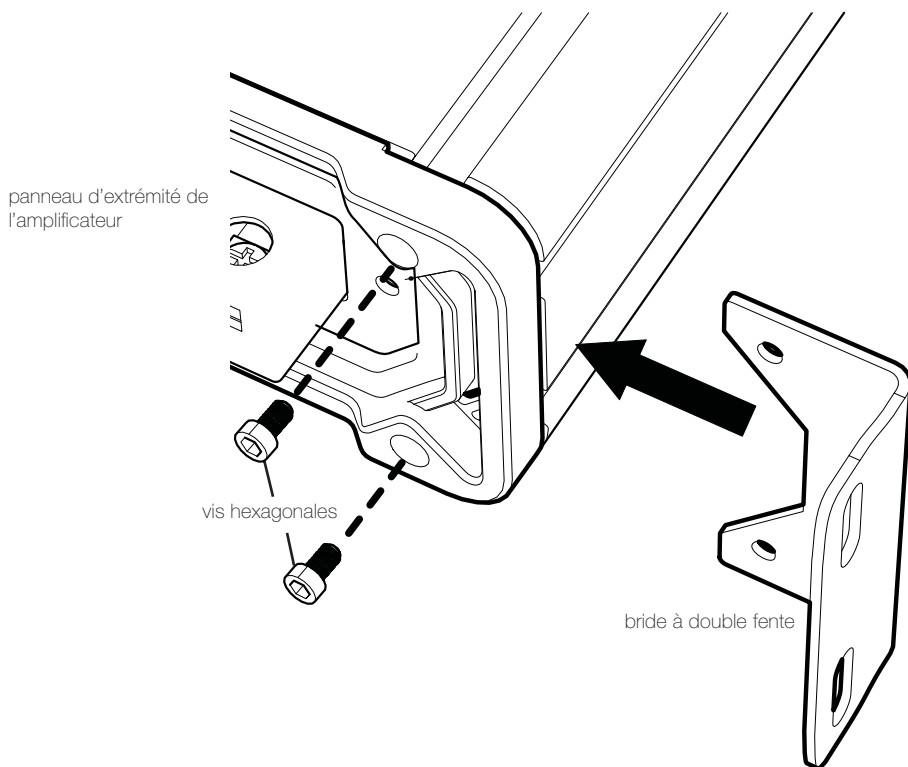
Oui [vendu séparément]

**Remarque :** Pour optimiser les performances de votre nouvel amplificateur KICKER, il est conseillé d'utiliser des accessoires et des câbles KICKER d'origine.

## INSTALLATION

**Montage:** Choisissez un emplacement de structure saine pour monter votre amplificateur KICKER. Assurez-vous que l'arrière de l'emplacement où vous allez enfoncer les vis ne comporte aucun élément. Choisissez un endroit assurant au moins 10 cm (4 po) de dégagement de ventilation ouverte pour l'amplificateur. Si possible, montez l'amplificateur dans l'habitacle passager climatisé. Percez quatre trous à l'aide d'un foret de 3 mm (7/64 po) et utilisez les vis n° 8 fournies pour monter l'amplificateur.

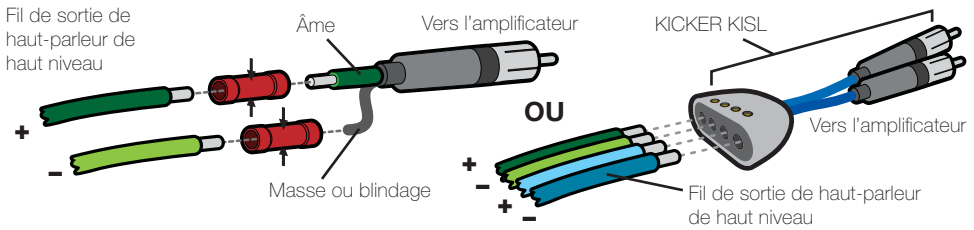
Les amplificateurs KICKER CX peuvent également être installés à la verticale, ce qui permet d'économiser de l'espace. Utilisez une clef hexagonale de 2,5 mm (clef Allen) pour desserrer le panneau d'extrémité, retirez les brides existantes ; ensuite, insérez et serrez les brides à double fente sur l'amplificateur, tel qu'illustré.



**Câblage:** Débranchez la batterie du véhicule pour éviter un court-circuit. Ensuite, raccordez le fil de masse à l'amplificateur. Le fil de masse doit être le plus court possible, de 60 cm (24 po) maximum. Raccordez-le à une partie métallique solide du châssis du véhicule, ne comportant ni peinture ni rouille. Il est recommandé d'ajouter un fil de masse supplémentaire de même calibre (ou de calibre supérieur) entre la borne négative de la batterie et le châssis du véhicule.

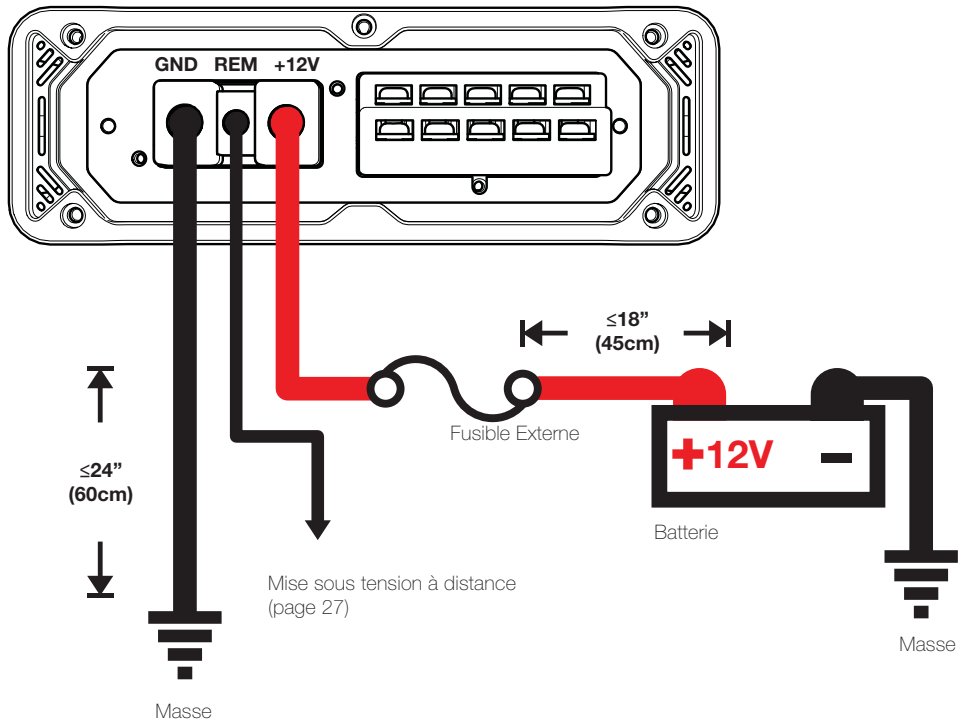
L'amplificateur CX est doté de deux entrées RCA différentielles de sensibilité d'entrée qui reçoivent des signaux de haut ou bas niveau à partir de l'appareil source de la stéréo de votre voiture. Le signal peut être transmis à l'amplificateur en utilisant les sorties de haut-parleur de haut niveau sur l'appareil source. Réglez le commutateur de niveau d'entrée sur le panneau d'extrémité de l'amplificateur à la position « HI ». Sertissez et soudez les connecteurs RCA à l'extrémité du fil du haut-parleur venant des sorties de haut-parleur de haut niveau sur l'appareil source et raccordez le fil aux entrées RCA sur le panneau d'extrémité de l'amplificateur, ou de simplifier l'installation avec une KISL KICKER, comme indiqué ci-dessous. Alternativement, vous pouvez connecter les sorties de votre unité source RCA aux entrées de l'amplificateur CX RCA. Réglez le commutateur de niveau d'entrée sur le panneau d'extrémité de l'amplificateur à la position « LO ». Acheminez le câble du signal audio à l'écart des harnais de câblage d'usine et des autres câblages électriques. Si vous devez éventuellement croiser ces fils, procédez à angle droit.

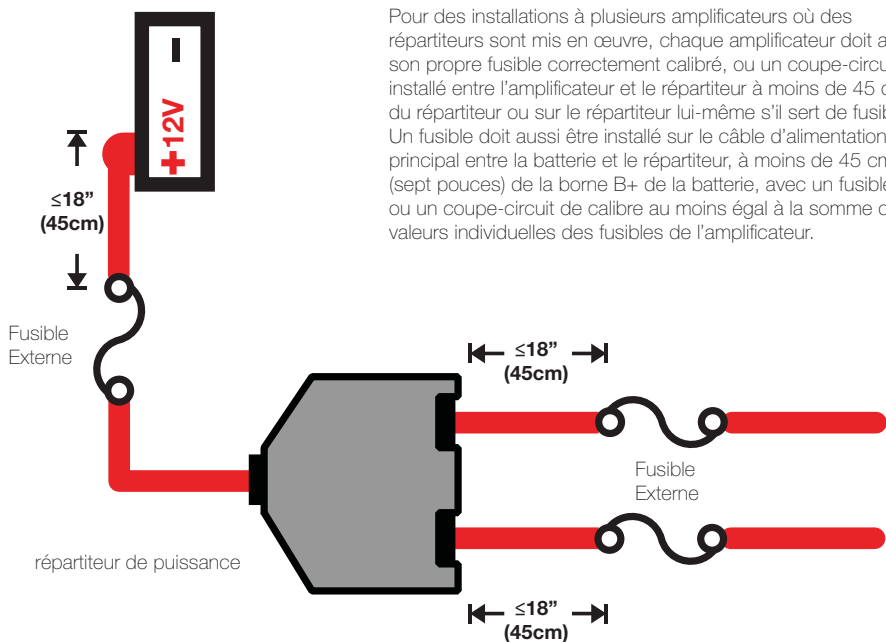




Installez un fusible dans un rayon de 45 cm (18 po) de la batterie directement sur le câble d'alimentation raccordé à votre amplificateur. Si vous devez retirer l'amplificateur après l'avoir installé dans le véhicule, débranchez toujours le fil de masse en dernier, en procédant à l'opposé de l'installation.

<b>Modèle</b>	<b>Fusible Externe (non inclus)</b>	<b>Fil de Masse / Alimentation</b>	<b>KICKER Kit de câblage</b>
CXA600.5	1 x 80 Ampères	Calibre 4	PK4, CK44, ZCK44

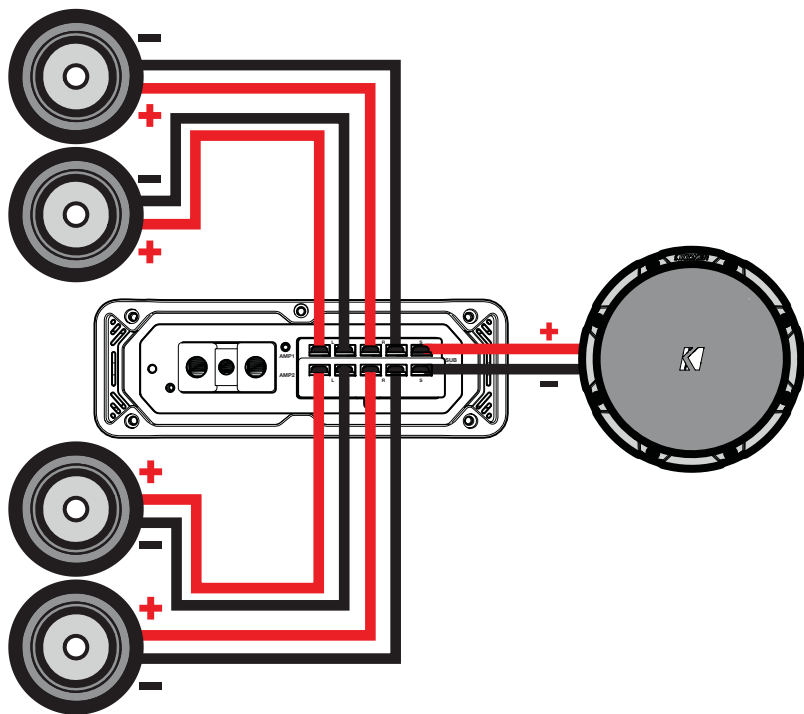




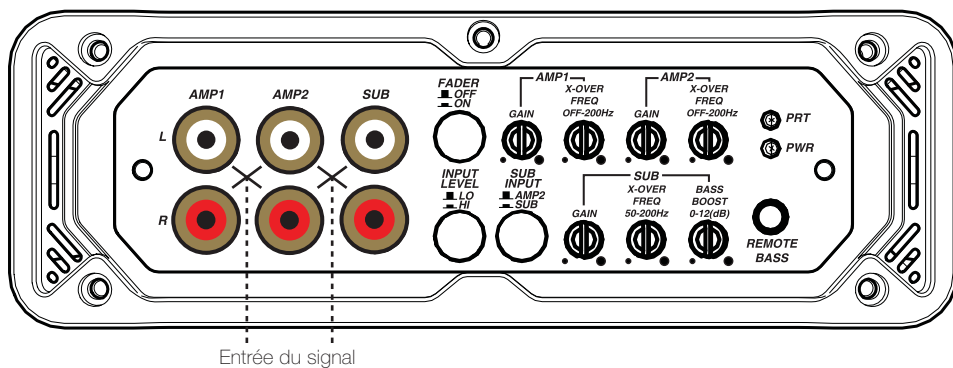
Pour des installations à plusieurs amplificateurs où des répartiteurs sont mis en œuvre, chaque amplificateur doit avoir son propre fusible correctement calibré, ou un coupe-circuit, installé entre l'amplificateur et le répartiteur à moins de 45 cm du répartiteur ou sur le répartiteur lui-même s'il sert de fusible. Un fusible doit aussi être installé sur le câble d'alimentation principal entre la batterie et le répartiteur, à moins de 45 cm (sept pouces) de la borne B+ de la batterie, avec un fusible ou un coupe-circuit de calibre au moins égal à la somme des valeurs individuelles des fusibles de l'amplificateur.

## FONCTIONNEMENT À QUATRE CANAUX AVEC CAISSON DE GRAVES

impédance minimum de 2 ohms par canal (AMP1, AMP2, et le SUB canaux)



## UTILISATION



**Sélection de Mise sous Tension Automatique :** La série CX propose deux modes d'allumage automatique différents ; +12 V et décalage en continu.

- Mise sous Tension à Distance : Faites passer un fil de calibre 18 à partir du fil de mise sous tension à distance sur votre appareil source jusqu'à la borne étiquetée REM entre la borne négative et la borne positive d'alimentation de l'amplificateur. Il s'agit de la méthode préférée de mise sous tension automatique.
- Mise sous Tension en Mode DC Offset : Le mode DC Offset détecte une surtension de 6 volts en provenance des sorties de haut-parleur de niveau haut (HI) quand l'appareil source a été mis en marche.

**Niveau d'Entrée :** Les entrées RCA sur les amplificateurs KICKER CX acceptent les signaux de niveaux haut et bas à partir de votre appareil source. Si votre appareil source n'est doté que d'une sortie de signal haut niveau, appuyez simplement sur le commutateur de niveau d'entrée sur l'amplificateur. Voir la section sur le câblage de ce manuel pour d'autres instructions.

**Interrupteur « Fader » :** Appuyez sur l'interrupteur « Fader » si vous utilisez deux jeux d'entrées (avant et arrière par exemple) à l'amplificateur. Laissez le désactiver si vous voulez conduire tous les canaux d'une entrée stéréo unique.

**Entrée du Caisson de Graves:** S'il n'existe pas de sortie dédiée sur votre appareil source pour le caisson de graves, utilisez le commutateur d'entrée du caisson de graves (SUB INPUT) pour régler l'entrée du caisson de graves sur SUB INPUT ou AMP INPUT 2.

**Commande du Gain d'Entrée :** La commande du gain d'entrée n'est pas une commande de volume. Elle fait correspondre la sortie de l'appareil source au niveau d'entrée de l'amplificateur. Réglez l'appareil source à environ ¾ du volume (si le réglage de l'appareil source va jusqu'à 30, réglez à 25). Ensuite, augmentez lentement le gain de l'amplificateur en faisant tourner le bouton (dans le sens des aiguilles d'une montre) jusqu'à produire une distorsion audible, puis baissez un peu le gain.

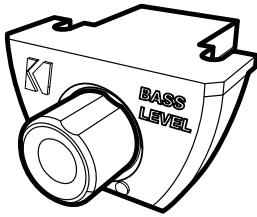
**Commande de l'Augmentation des Graves :** La télécommande de l'amplificateur de basses fréquences sur le côté de l'amplificateur est conçue pour vous donner un meilleur son, de 0 à 12 dB, à 40 Hz. Le paramétrage de cette commande est subjectif. Si vous le mettez en marche, vous devrez réajuster la télécommande de gain pour éviter de perturber l'amplificateur.

**Commande de Filtre :** La commande de filtre sur le côté de l'amplificateur vous permet d'ajuster la fréquence du répartiteur de 10 à 200 Hz (AMP 1 & 2) et 50 à 200 Hz (SUB). Les paramètres de ces commandes sont subjectifs ; 80 Hz constitue une bonne valeur de départ.

**Télécommande du Niveau des Graves-CXARC (non inclus) :** Grâce à la télécommande de niveau de basses CXARC facultative, vous avez la capacité de contrôler le niveau d'entrée de votre amplificateur à distance. Pour une installation en surface de la télécommande de niveau de basses CXARC, vissez simplement la télécommande à l'emplacement choisi, acheminez ensuite le câble du contrôleur vers la prise « Basses à distance » sur le panneau de commande de l'amplificateur. **NE PAS** connecter / déconnecter, tandis que l'amplificateur est sous tension. Voir la page 28.

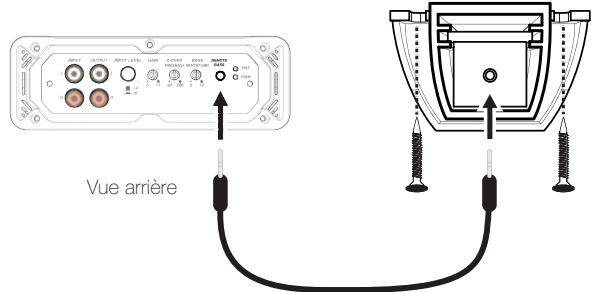
## CXARC TÉLÉCOMMANDE DU NIVEAU DES GRAVES INSTALLATION

(CXARC non inclus.)



Câble de la télécommande passe audio, ne le font pas parallèles à câbles d'alimentation.

Installez la télécommande CXARC en surface en utilisant les vis fournies.



Vue arrière

Raccordez le cordon de raccordement de 1/8 pouces [3.5mm] alimentant la télécommande CXARC et l'entrée « Basses à distance » sur l'amplificateur.

### EN CAS DE DIFFICULTÉ

Si votre amplificateur ne marche pas, vérifiez d'abord les possibilités évidentes comme les fusibles sautés, les branchements incorrects ou desserrés, le mauvais réglage des commandes de gain et du commutateur du filtre, etc. Une DEL de protection électrique est située sur le panneau latéral de votre amplificateur Kicker série CX. Selon l'état de l'amplificateur et du système de charge du véhicule, la DEL est éclairée en rouge ou vert. Une DEL lumineuse verte indique que l'amplificateur est sous tension et qu'il fonctionne correctement.

**DEL verte éteinte, aucune sortie ?** En utilisant un volt/ohmmètre (VOM), vérifiez les points suivants :

❶ Borne d'alimentation +12 volts (entre +12 V et +16 V) ❷ Borne de mise sous tension à distance (entre +12 V et +16 V) ❸ Vérifiez que les branchements d'alimentation et de masse ne sont pas inversés. ❹ La conductivité de la borne de masse. ❺ L'état des fusibles (aucun fusible sauté).

**DEL verte éclairée, aucune sortie ?** Vérifiez les points suivants : ❶ Branchements RCA ❷ Testez les sorties de haut-parleur en utilisant un haut-parleur dont vous vous êtes assuré du bon fonctionnement. ❸ Remplacez l'appareil source par un appareil dont vous vous êtes assuré du bon fonctionnement. ❹ Vérifiez le passage du signal dans le câble RCA alimentant l'amplificateur en utilisant le volt/ohmmètre réglé pour mesurer la tension « c.a. ».

**DEL du « protection » clignotante lorsque le volume de la musique est élevé ?** La DEL rouge indique une tension faible de la batterie. Vérifiez tous les branchements du système de charge de votre véhicule. Le remplacement ou la recharge de la batterie (ou encore le remplacement de l'alternateur) de votre véhicule peut s'avérer nécessaire.

**DEL du « protection » allumée, aucune sortie ?** ❶ L'amplificateur est très chaud = La protection thermique est engagée. Testez l'impédance aux bornes des haut-parleurs en utilisant un volt/ohmmètre (voir les schémas de ce manuel pour des recommandations sur l'impédance minimum et diverses suggestions de câblage pour les haut-parleurs). Vérifiez également qu'il existe une circulation d'air adéquate autour de l'amplificateur. ❷ L'amplificateur ne s'arrête que lorsque le véhicule est en marche = La protection de tension est engagée. La tension à l'amplificateur ne se situe pas dans la plage de fonctionnement comprise entre 10 et 16 volts. Faites vérifier le système de recharge et le système électrique du véhicule. ❸ L'amplificateur ne marche qu'à un niveau sonore faible = La protection anti-court-circuit est engagée. Vérifiez que les fils des haut-parleurs ne sont pas en court-circuit entre eux ou avec le châssis du véhicule. Vérifiez l'état des haut-parleurs ou l'impédance qui ne doit pas tomber en dessous du seuil minimum recommandé.

**Aucune sortie d'un canal ?** ❶ Vérifiez le contrôle de la balance sur l'appareil source ❷ Vérifiez les branchements RCA (ou d'entrée de haut-parleur) et les branchements de sortie de haut-parleur pour le canal.

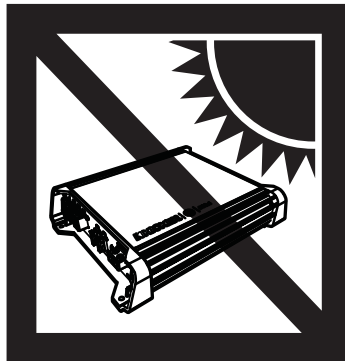
**Pialement prolongé de l'alternateur avec le régime du moteur ?** ❶ Vérifiez l'état du câble RCA (ou d'entrée de haut-parleur) ❷ Vérifiez l'acheminement du câble RCA (ou d'entrée de haut-parleur) ❸ Vérifiez que l'appareil source est correctement mis à la masse ❹ Vérifiez les paramètres de gain et baissez-en la valeur s'ils sont trop élevés.

**Réponse réduite des graves ?** Inversez le branchement d'un haut-parleur de positif à négatif sur le ou les canaux de la stéréo/du caisson des graves. L'amélioration des graves indique que le haut-parleur était déphasé.

**Bruit de fond ?** Les amplificateurs KICKER ont été étudiés pour être entièrement compatibles avec les unités de tête de tous les fabricants. Certaines unités de tête peuvent exiger une mise à la masse supplémentaire pour éviter toute interférence avec le signal audio. Pour remédier à ce problème éventuel, il suffit dans la plupart des cas d'acheminer un fil de masse à partir des sorties RCA sur l'unité de tête jusqu'au châssis.

**ATTENTION :** Lorsque vous effectuez une recharge rapide de la batterie du véhicule, assurez-vous que les branchements effectués avec les câbles de recharge rapide sont corrects. Des branchements incorrects peuvent faire sauter les fusibles de l'amplificateur et provoquer des pannes dans d'autres systèmes cruciaux du véhicule.

Si vous avez d'autres questions relatives à l'installation ou au fonctionnement de votre nouveau produit KICKER, contactez le revendeur agréé KICKER qui vous l'a vendu. Pour obtenir d'autres conseils sur l'installation, cliquez sur l'onglet SUPPORT de la page d'accueil KICKER, [www.kicker.com](http://www.kicker.com). Sélectionnez l'onglet TECHNICAL SUPPORT, choisissez le sujet qui vous intéresse et téléchargez ou affichez les informations correspondantes. Si vous avez d'autres questions, envoyez un message électronique à [support@kicker.com](mailto:support@kicker.com) ou téléphonez aux services techniques en composant le (+1) 405-624-8583.



### CXA600.5

40 x 4 @ 4 ohms (20Hz-20,000Hz)

Rapport Signal sur Bruit -75dB CEA-2006B (ref: 1W, pondéré A)

150 x 1 @ 4 ohms (20Hz-200Hz)

Rapport Signal sur Bruit -75dB CEA-2006B (ref: 1W, pondéré A)

14.4V C.C., 1% de Distorsion Harmonique Totale, CEA-2006B (W)

## ELECTRONICS LIMITED WARRANTY

When purchased from an Authorized KICKER Dealer, KICKER warrants this product to be free from defects in material and workmanship under normal use for a period of TWO (2) YEARS from date of original purchase with receipt. If this product is identified as "Refurbished" or "B Goods", the warranty is limited to a period of THREE (3) MONTHS from the date of original purchase. In all cases you must have the original receipt. Should service be necessary under this warranty for any reason due to manufacturing defect or malfunction during the warranty period, KICKER will repair or replace (at its discretion) the defective merchandise with equivalent merchandise. Warranty replacements may have cosmetic scratches and blemishes. Discontinued products may be replaced with more current equivalent products. This warranty is valid only for the original purchaser and is not extended to owners of the product subsequent to the original purchaser. Any applicable implied warranties are limited in duration to a period of the express warranty as provided herein beginning with the date of the original purchase at retail, and no warranties, whether express or implied, shall apply to this product thereafter. Some states do not allow limitations on implied warranties; therefore, these exclusions may not apply to you. This warranty gives you specific legal rights; however you may have other rights that vary from state to state.

### WHAT TO DO IF YOU NEED WARRANTY OR SERVICE:

Defective merchandise should be returned to your local Authorized Stillwater Designs (KICKER) Dealer for warranty service. Assistance in locating an Authorized Dealer can be found at [www.kicker.com](http://www.kicker.com) or by contacting Stillwater Designs directly. You can confirm that a dealer is authorized by asking to see a current authorized dealer window decal.

If it becomes necessary for you to return defective merchandise directly to Stillwater Designs (KICKER), call the KICKER Customer Service Department at (405) 624-8510 for a Return Merchandise Authorization (RMA) number. Package only the defective items in a package that will prevent shipping damage, and return to:

**Stillwater Designs, 3100 North Husband St, Stillwater, OK 74075**

The RMA number must be clearly marked on the outside of the package. Please return only defective components. The return of functioning items increases your return freight charges. Non-defective items will be returned freightcollect to you. For example, if a subwoofer is defective, only return the defective subwoofer, not the entire enclosure. Include a copy of the original receipt with the purchase date clearly visible, and a "proof-of-purchase" statement listing the Customer's name, Dealer's name and invoice number, and product purchased. Warranty expiration on items without proof-of-purchase will be determined from the type of sale and manufacturing date code. Freight must be prepaid; items sent freight-collect, or COD, will be refused.

### WHAT IS NOT COVERED?

This warranty is valid only if the product is used for the purpose for which it was designed. It does not cover:

- o Damage due to improper installation
- o Subsequent damage to other components
- o Damage caused by exposure to moisture, excessive heat, chemical cleaners, and/or UV radiation
- o Damage through negligence, misuse, accident or abuse. Repeated returns for the same damage may be considered abuse
- o Any cost or expense related to the removal or reinstallation of product
- o Speakers damaged due to amplifier clipping or distortion
- o Items previously repaired or modified by any unauthorized repair facility
- o Return shipping on non-defective items
- o Products with tampered or missing barcode labels
- o Products with tampered or missing serial numbers
- o Products returned without a Return Merchandise Authorization (RMA) number
- o Products purchased from an UNAUTHORIZED dealer
- o Freight Damage
- o The cost of shipping product to KICKER
- o Service performed by anyone other than KICKER

**Note:** All specifications and performance figures are subject to change. Please visit [www.kicker.com](http://www.kicker.com) for the most current information.

43CX.5-C-20150929



## HOW LONG WILL IT TAKE?

KICKER strives to maintain a goal of one week turnaround for all electronics (amplifiers, crossovers, equalizers, etc.) returns. Delays may be incurred if lack of replacement inventory or parts is encountered. Failure to follow these steps may void your warranty. Any questions can be directed to the KICKER Customer Service Department at (405) 624-8510. Contact your International KICKER dealer or distributor concerning specific procedures for your country's warranty policies.

## **INTERNATIONAL WARRANTY**

Contact your International KICKER dealer or distributor concerning specific procedures for your country's warranty policies.

Our goods come with guarantees that cannot be excluded under the **Australian Consumer Law**. You are entitled to a replacement or refund for a major failure and for compensation for any other reasonably foreseeable loss or damage. You are also entitled to have the goods repaired or replaced if the goods fail to be of acceptable quality and the failure does not amount to a major failure.

## **GARANTÍA INTERNACIONAL**

### ***Versión Español***

Comuníquese con su concesionario o distribuidor KICKER internacional para obtener información sobre procedimientos específicos relacionados con las normas de garantía de su país.

La frase "combustible para vivir la vida Livin' Loud™ a todo volumen" se refiere al entusiasmo por la vida que la marca KICKER de estéreos de automóvil representa y a la recomendación a nuestros clientes de que vivan lo mejor posible ("a todo volumen") en todo sentido. La línea de altavoces y amplificadores KICKER es la mejor del mercado de audio de automóviles y por lo tanto representa el "combustible" para vivir a todo volumen en el área de "estéreos de automóvil" de la vida de nuestros clientes. Recomendamos a todos nuestros clientes que obedezcan todas las reglas y reglamentos locales sobre ruido en cuanto a los niveles legales y apropiados de audición fuera del vehículo.

## **INTERNATIONALE GARANTIE**

### ***Deutsche Version***

Nehmen Sie mit Ihren internationalen KICKER-Fachhändler oder Vertrieb Kontakt auf, um Details über die Garantieleistungen in Ihrem Land zu erfahren.

Der Slogan "Treibstoff für Livin' Loud" bezieht sich auf die mit den KICKER-Autostereosystemen assoziierte Lebensfreude und die Tatsache, dass wir unsere Kunden ermutigen, in allen Aspekten ihres Lebens nach dem Besten ("Livin' Loud") zu streben. Die Lautsprecher und Verstärker von KICKER sind auf dem Markt für Auto-Soundsysteme führend und stellen somit den "Treibstoff" für das Autostereoerlebnis unserer Kunden dar. Wir empfehlen allen unseren Kunden, sich bezüglich der zugelassenen und passenden Lautstärkepegel außerhalb des Autos an die örtlichen Lärmvorschriften zu halten.

## **GARANTIE INTERNATIONALE**

### ***Versión Française***

Pour connaître les procédures propres à la politique de garantie de votre pays, contactez votre revendeur ou distributeur International KICKER.

L'expression " carburant pour vivre plein pot " fait référence au dynamisme de la marque KICKER d'équipements audio pour véhicules et a pour but d'encourager nos clients à faire le maximum (" vivre plein pot ") dans tous les aspects de leur vie. Les haut-parleurs et amplificateurs KICKER sont les meilleurs dans le domaine des équipements audio et représentent donc pour nos client le " carburant pour vivre plein pot " dans l'aspect " installation audio de véhicule " de leur vie. Nous encourageons tous nos clients à respecter toutes les lois et réglementations locales relatives aux niveaux sonores acceptables à l'extérieur des véhicules.



P.O. Box 459 • Stillwater, Oklahoma 74076 • USA • (405) 624-8510





©2015 Stillwater Designs