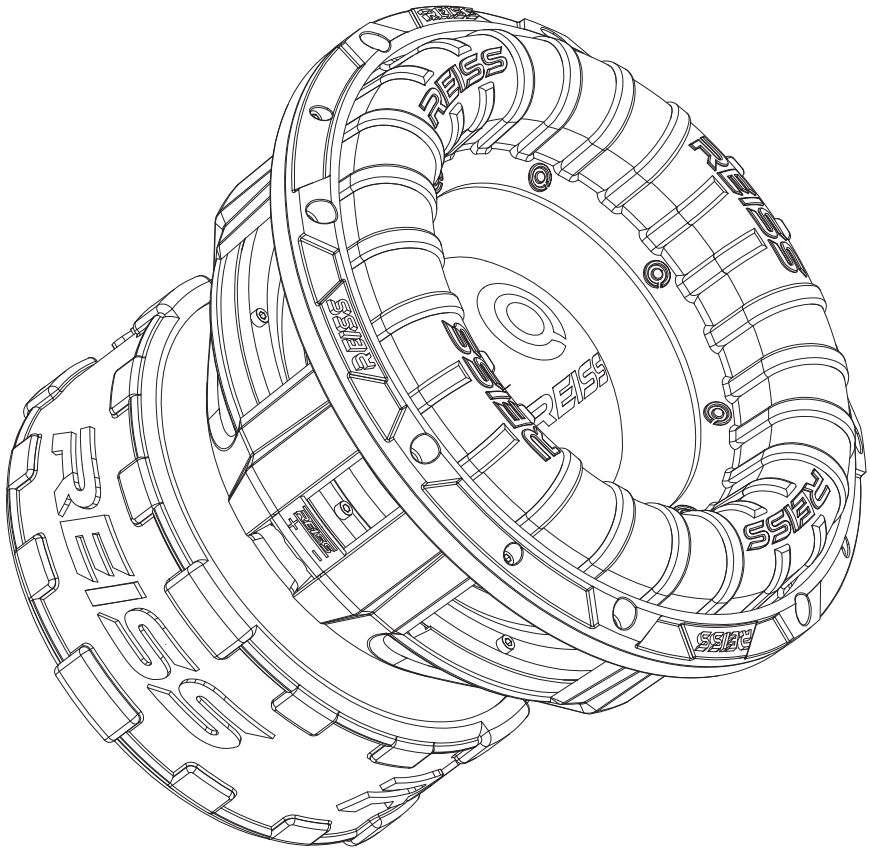




## OWNER'S MANUAL

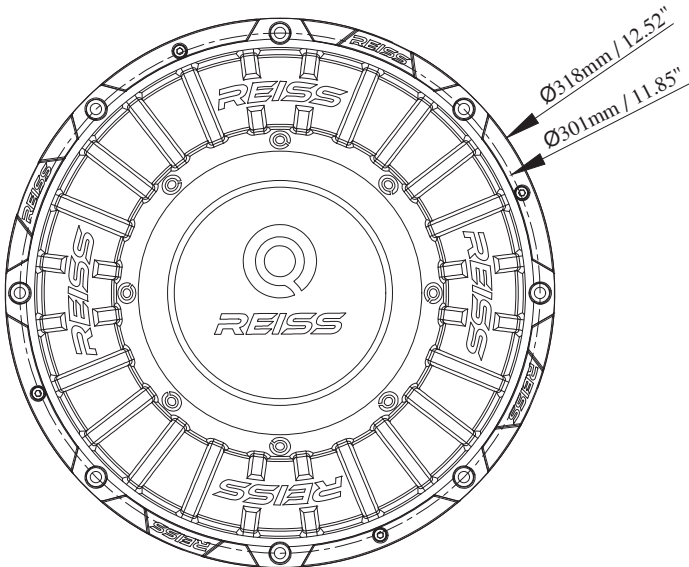
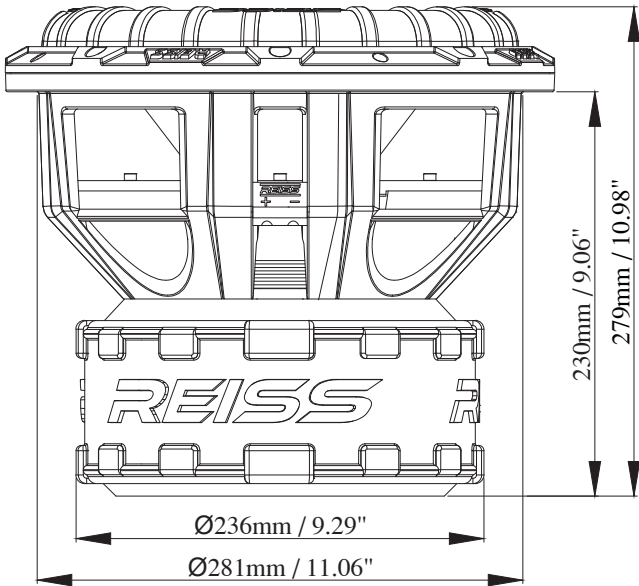
### *RS-SKULL12 D1*

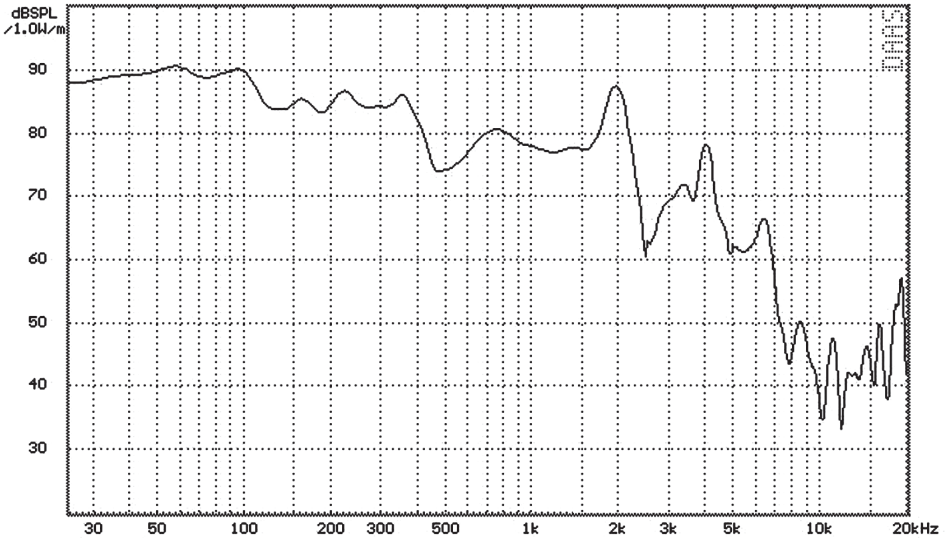
12" COMPETITION  
HIGH POWER SUBWOOFER



Turkish Engineering Since 1985

# RS-SKULL12 D1





## SPECIFICATIONS

Nominal Diameter .....	12" / 304.8mm
Nominal Impedance .....	1+1 OHMS
RMS Power Handling .....	2500 Watts
MAX Power Handling .....	5000 Watts
Sensitivity(1w/1m) .....	87 dB
Frequency Response .....	22Hz - 500Hz
Recommended Lo Pass Crossover.....	80Hz

## MOTOR

Voice Coil Diameter .....	3" / 76.5mm
Voice Coil Former Material .....	Black Aluminium
Winding Material .....	CCAW
Cone Material .....	Carbonfibre & Paper Compound
Dustcap Material .....	Carbonfibre
Surround Material .....	Foam
Basket Material .....	Aluminium
Basket Color / Finish .....	Glossy Black With Machined Aluminium
Magnet Material .....	Ferrite
Magnet Weight .....	390oz
Displacement Volume .....	3.41L/0.12ft3

## THIELE & SMALL PARAMETERS

Equivalent Volume .....	Vas .....	26.520L / 0.937 ft3
Free Air Resonance .....	Fs .....	26.318Hz
Mechanical Factor .....	Qms .....	3.632
Electrical Factor .....	Qes .....	0.316
Total Factor .....	Qts .....	0.291
Moving Mass .....	Mms .....	374.297g
Compliance .....	Cms .....	0.098 mm/N
BL Factor .....	BL .....	8.855 Tm
Voice Coil Inductance .....	Le .....	0.462 mH
Diaphragm Area .....	Sd .....	437.21 CM2
DC Resistance .....	Re .....	0.8+0.8 OHM
Efficiency Bandwidth Product .....	EBP.....	83.92

## MEASUREMENT

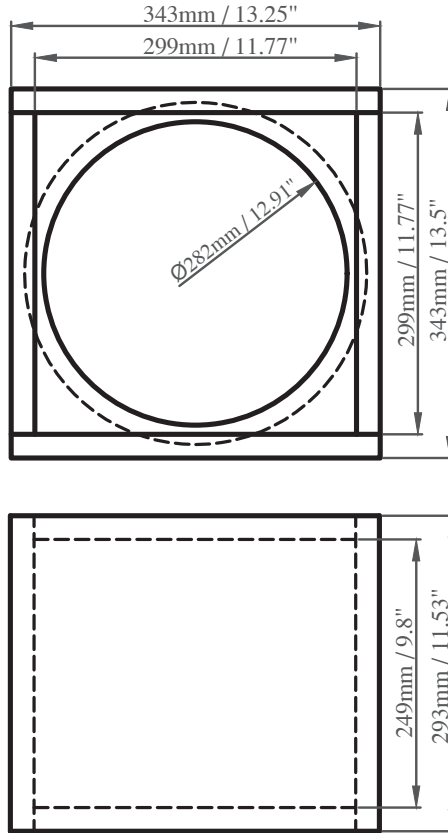
Overall Diameter .....	318mm / 12.52"
Overall Depth .....	283mm / 11.14"
Front Mount Baffle Cutout .....	281mm /11.06"
Mounting Depth .....	234mm / 9.21"
Motor Diameter .....	220mm / 8.66"

## RECOMMENDED ENCLOSURES

Sealed Internal Volume .....	22.96L /0.81ft3
Sealed Box Output Response .....	69.84Hz
Ported Internal Volume .....	41.41L / 1.46ft3
Port Size *Square (WxHxL) .....	25mm x 299mm x 650mm 0.98" x11.77" x 25.6"
Port Tuning Frequency .....	29.57Hz
Ported Box Output Response .....	26.66Hz

## RECOMMENDED BOX DIMENSION

### SINGLE SUBWOOFER SEALED BOX



#### PARAMETERS

Box External Dimensions:  
(WxHxD): 343mm x 343mm x 293mm  
/ 13.5" x 13.5" x 11.54"

Material Thickness: 22mm / 0.87"

Net Internal Volume: 22.96L / 0.81ft<sup>3</sup>

#### WOOD CUTS

Top - Bottom  
(WxH): 343mm x 293mm / 13.5" x 11.54"

Front - Rear  
(WxH): 299mm x 299mm / 11.77" x 11.77"

Left - Right  
(WxH): 299mm x 293mm / 11.77" x 11.54"

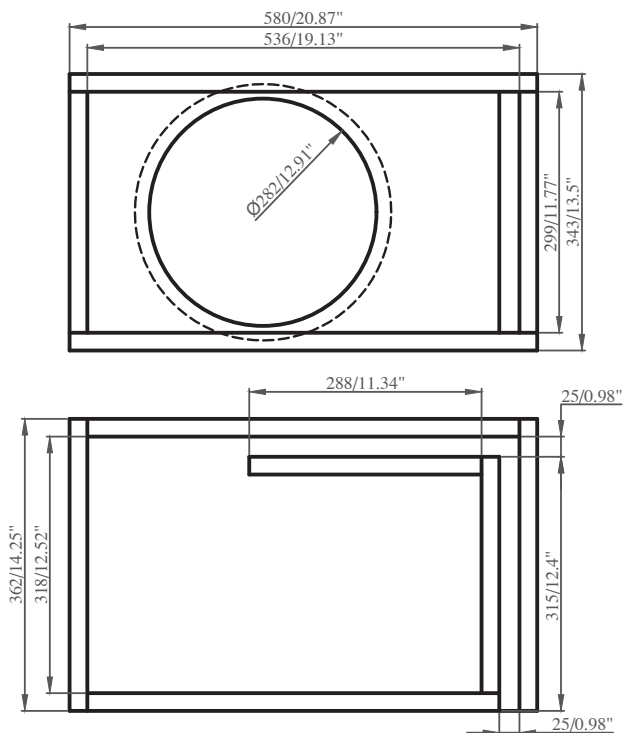
#### QTY

2

2

2

## SINGLE SUBWOOFER PORTED BOX



### PARAMETERS

Box External Dimensions:  
(WxHxD): 580 x 343 x 362 mm /  
22.83" x 13.5" x 14.25"

Material Thickness: 22mm / 0.87"

Net Internal Volume: 41.41L / 1.46ft<sup>3</sup>

Tuning Frequency: 29.57 Hz

Port Area: 74.75cm<sup>2</sup> / 11.59 inch<sup>2</sup>

Port Intel: 25 x 299 mm / 0.98" x 11.77"

Port Length: 650 mm / 25.6"

### WOOD CUTS

Top - Bottom  
580 x 362 mm / 22.83" x 14.25" 2

Front: 511 x 299 mm / 20.12" x 11.77" 1

Rear: 536 x 299 mm / 21.1" x 11.77" 1

Left: 362 x 299mm / 14.25" x 11.77" 1

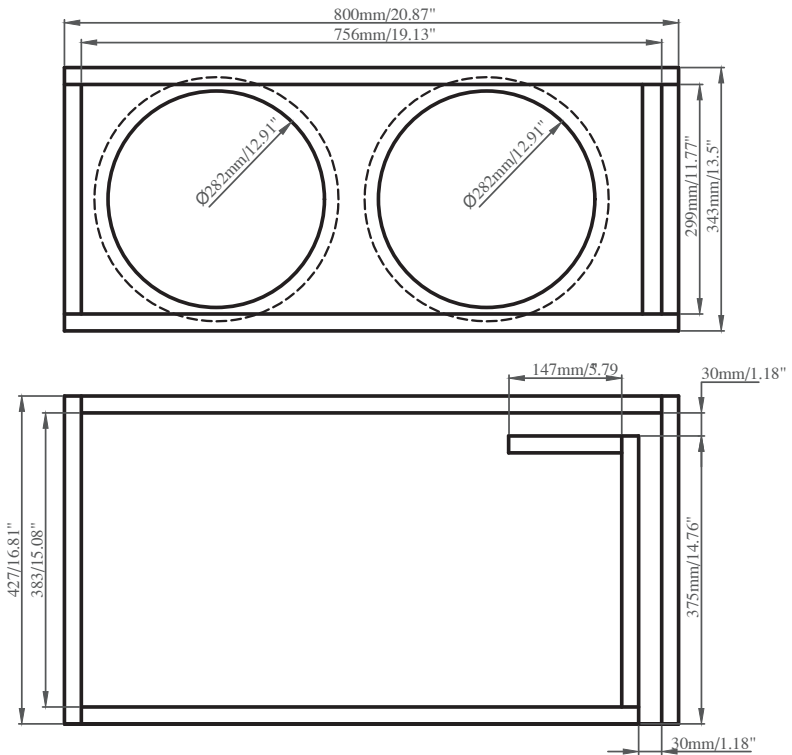
Right: 362 x 299mm / 14.25" x 11.77" 1

Port: 315 x 299mm / 12.4" x 11.77" 1

Port: 288 x 299mm / 11.34" x 11.77" 1

### QTY

## DOUBLE SUBWOOFER PORTED BOX



### PARAMETERS

Box External Dimensions:

(WxHxD): 800 x 343 x 427mm /  
31.5" x 13.5" x 16.81"

Material Thickness: 22mm / 0.87"

Net Internal Volume: 74.82L / 2.64 ft<sup>3</sup>

Tuning Frequency: 29.57 Hz

Port Area: 89.7 CM<sup>2</sup> / 13.9 inch<sup>2</sup>

Port Intel: 30 x 574 mm / 1.18" X 22.6"

Port Length: 574mm / 22.6 inch<sup>2</sup>

### WOOD CUTS

Top - Bottom

800 x 427 mm / 31.5" x 16.81"

Front: 726 x 299 mm / 28.58" x 11.77"

Rear: 756 x 299 mm / 29.76" x 11.77"

Left: 427 x 299 mm / 16.81" x 11.77"

Right: 427 x 299 mm / 16.81" x 11.77"

Port: 375 x 299 mm / 14.76" x 11.77"

Port: 147 x 299 mm / 5.79" x 11.77"

### QTY

2

1

1

1

1

1

1



**FOR MORE INFORMATION  
PLEASE VISIT  
[www.reissaudio.com.tr](http://www.reissaudio.com.tr)**

**Turkish Engineering Since 1985**

REİS ELEKTRONİK SANAYİ VE TİCARET A.Ş  
İstoç Toptancılar Sitesi 15. Ada No:1-3-5-7  
Mahmutbey Bağcılar / İstanbul - TÜRKİYE

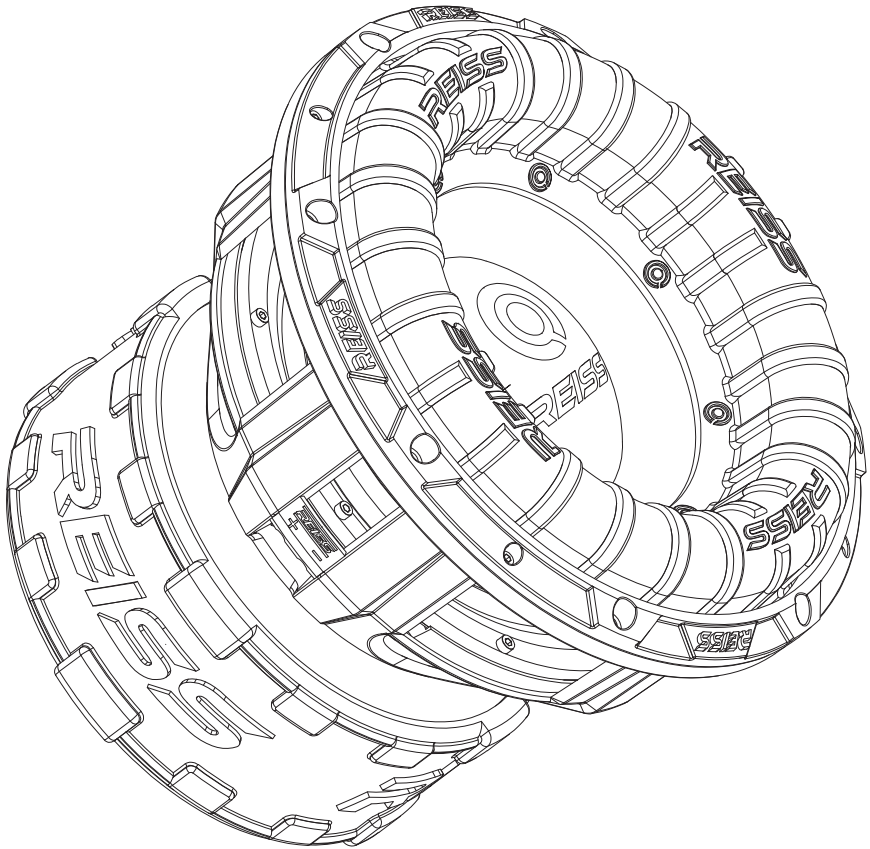


## OWNER'S MANUAL

### *RS-SKULL12 D2*

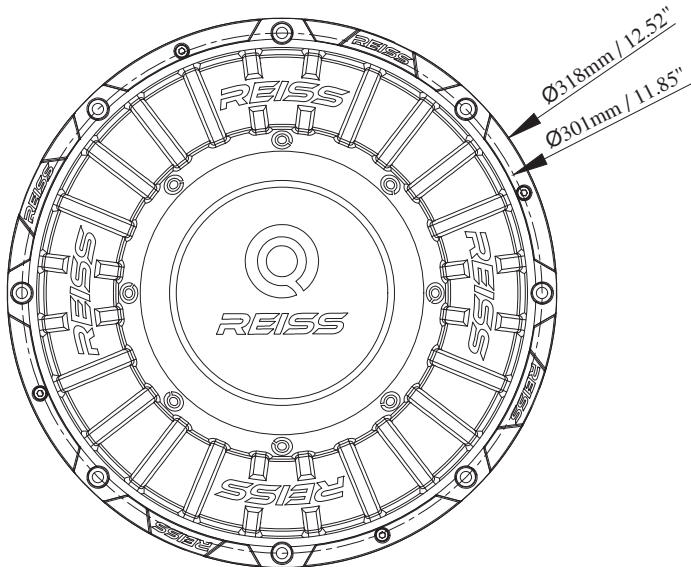
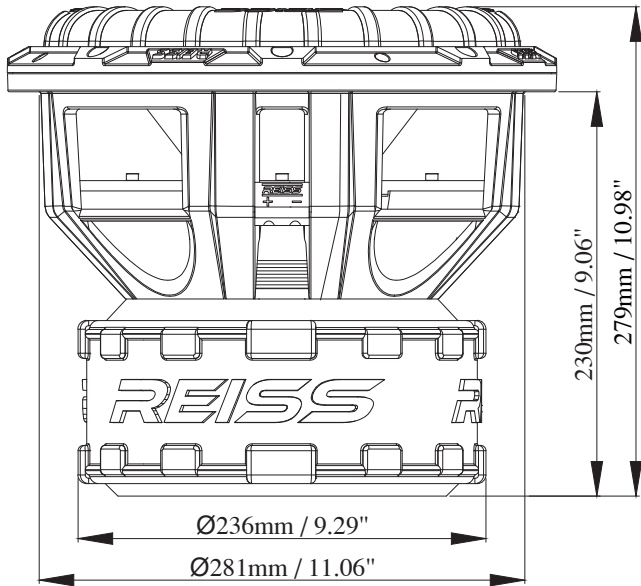
12" COMPETITION  
HIGH POWER SUBWOOFER

2+2  $\Omega$

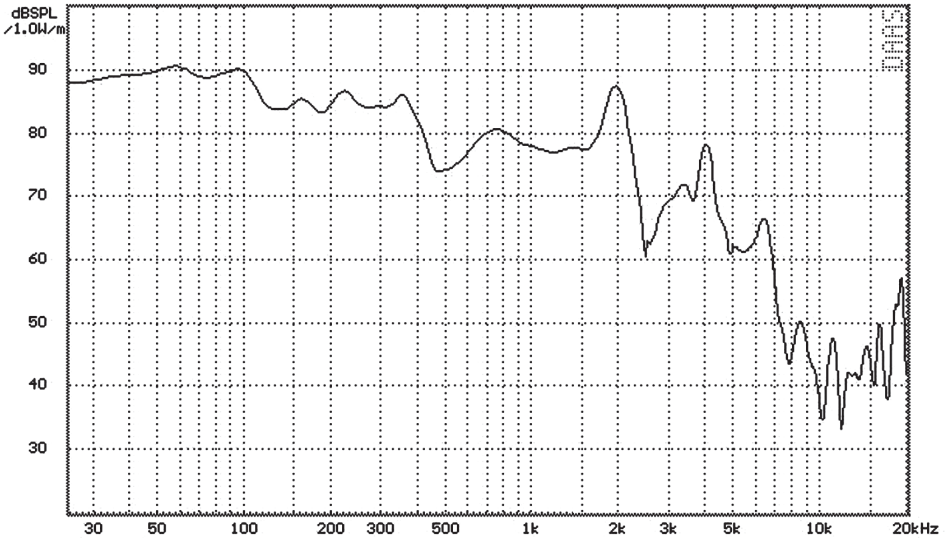


Turkish Engineering Since 1985

# RS-SKULL12 D2



# RS-SKULL12 D2



## SPECIFICATIONS

Nominal Diameter	12" / 304.8mm
Nominal Impedance	1.6+1.6 OHMS
RMS Power Handling	2500 Watts
MAX Power Handling	5000 Watts
Sensitivity(1w/1m)	87 dB
Frequency Response	22Hz - 500Hz
Recommended Lo Pass Crossover	80Hz

## MOTOR

Voice Coil Diameter	3" / 76.5mm
Voice Coil Former Material	Black Aluminium
Winding Material	CCAW
Cone Material	Carbonfibre & Paper Compound
Dustcap Material	Carbonfibre
Surround Material	Foam
Basket Material	Aluminium
Basket Color / Finish	Glossy Black With Machined Aluminium
Magnet Material	Ferrite
Magnet Weight	390oz
Displacement Volume	3.41L/0.12ft3

## THIELE & SMALL PARAMETERS

Equivalent Volume .....	Vas .....	25.445L / 0.899 ft3
Free Air Resonance .....	Fs .....	25.901Hz
Mechanical Factor .....	Qms .....	4.639
Electrical Factor .....	Qes .....	0.297
Total Factor .....	Qts .....	0.279
Moving Mass .....	Mms .....	402.787g
Compliance .....	Cms .....	0.094 mm/N
BL Factor .....	BL .....	13.293 Tm
Voice Coil Inductance .....	Le .....	1.207 mH
Diaphragm Area .....	Sd .....	437.21 CM2
DC Resistance .....	Re .....	1.6+1.6 OHM
Efficiency Bandwidth Product .....	EBP.....	87.21

## MEASUREMENT

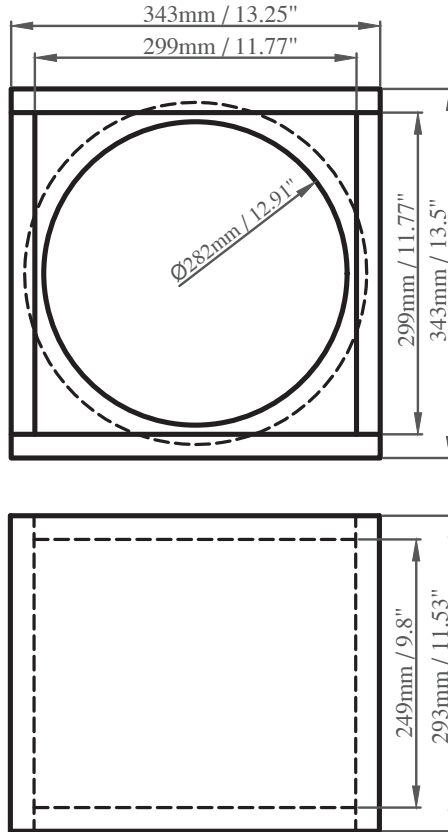
Overall Diameter .....	318mm / 12.52"
Overall Depth .....	283mm / 11.14"
Front Mount Baffle Cutout .....	281mm /11.06"
Mounting Depth .....	234mm / 9.21"
Motor Diameter .....	220mm / 8.66"

## RECOMMENDED ENCLOSURES

Sealed Internal Volume .....	22.96L /0.81ft3
Sealed Box Output Response .....	69.84Hz
Ported Internal Volume .....	41.41L / 1.46ft3
Port Size *Square (WxHxL) .....	25mm x 299mm x 650mm 0.98" x11.77" x 25.6"
Port Tuning Frequency .....	29.57Hz
Ported Box Output Response .....	26.66Hz

## RECOMMENDED BOX DIMENSION

### SINGLE SUBWOOFER SEALED BOX



#### PARAMETERS

Box External Dimensions:  
(WxHxD): 343mm x 343mm x 293mm  
/ 13.5" x 13.5" x 11.54"

Material Thickness: 22mm / 0.87"

Net Internal Volume: 22.96L / 0.81ft<sup>3</sup>

#### WOOD CUTS

Top - Bottom  
(WxH): 343mm x 293mm / 13.5" x 11.54"

Front - Rear  
(WxH): 299mm x 299mm / 11.77" x 11.77"

Left - Right  
(WxH): 299mm x 293mm / 11.77" x 11.54"

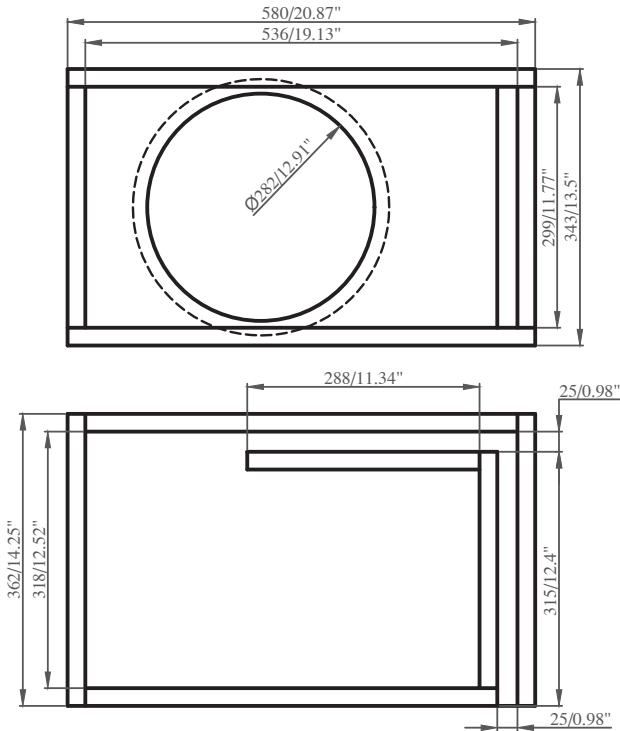
#### QTY

2

2

2

## SINGLE SUBWOOFER PORTED BOX



### PARAMETERS

Box External Dimensions:  
(WxHxD): 580 x 343 x 362 mm /  
22.83" x 13.5" x 14.25"

Material Thickness: 22mm / 0.87"

Net Internal Volume: 41.41L / 1.46ft<sup>3</sup>

Tuning Frequency: 29.57 Hz

Port Area: 74.75cm<sup>2</sup> / 11.59 inch<sup>2</sup>

Port Intel: 25 x 299 mm / 0.98" x 11.77"

Port Length: 650 mm / 25.6"

### WOOD CUTS

Top - Bottom  
580 x 362 mm / 22.83" x 14.25"

Front: 511 x 299 mm / 20.12" x 11.77"

Rear: 536 x 299 mm / 21.1" x 11.77"

Left: 362 x 299mm / 14.25" x 11.77"

Right: 362 x 299mm / 14.25" x 11.77"

Port: 315 x 299mm / 12.4" x 11.77"

Port: 288 x 299mm / 11.34" x 11.77"

### QTY

2

1

1

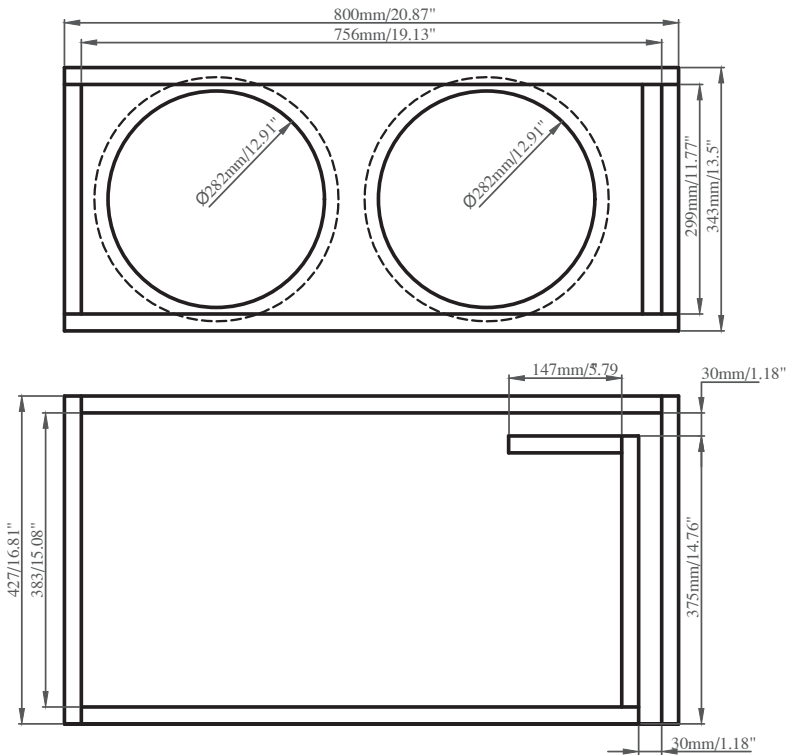
1

1

1

1

## DOUBLE SUBWOOFER PORTED BOX



### PARAMETERS

Box External Dimensions:

(WxHxD): 800 x 343 x 427mm /  
31.5" x 13.5" x 16.81"

Material Thickness: 22mm / 0.87"

Net Internal Volume: 74.82L / 2.64 ft<sup>3</sup>

Tuning Frequency: 29.57 Hz

Port Area: 89.7 CM<sup>2</sup> / 13.9 inch<sup>2</sup>

Port Intel: 30 x 574 mm / 1.18" X 22.6"

Port Length: 574mm / 22.6 inch<sup>2</sup>

### WOOD CUTS

Top - Bottom

800 x 427 mm / 31.5" x 16.81"

Front: 726 x 299 mm / 28.58" x 11.77"

Rear: 756 x 299 mm / 29.76" x 11.77"

Left: 427 x 299 mm / 16.81" x 11.77"

Right: 427 x 299 mm / 16.81" x 11.77"

Port: 375 x 299 mm / 14.76" x 11.77"

Port: 147 x 299 mm / 5.79" x 11.77"

### QTY

2

1

1

1

1

1

1



**FOR MORE INFORMATION  
PLEASE VISIT  
[www.reissaudio.com.tr](http://www.reissaudio.com.tr)**

**Turkish Engineering Since 1985**

REİS ELEKTRONİK SANAYİ VE TİCARET A.Ş  
İstoç Toptancılar Sitesi 15. Ada No:1-3-5-7  
Mahmutbey Bağcılar / İstanbul - TÜRKİYE