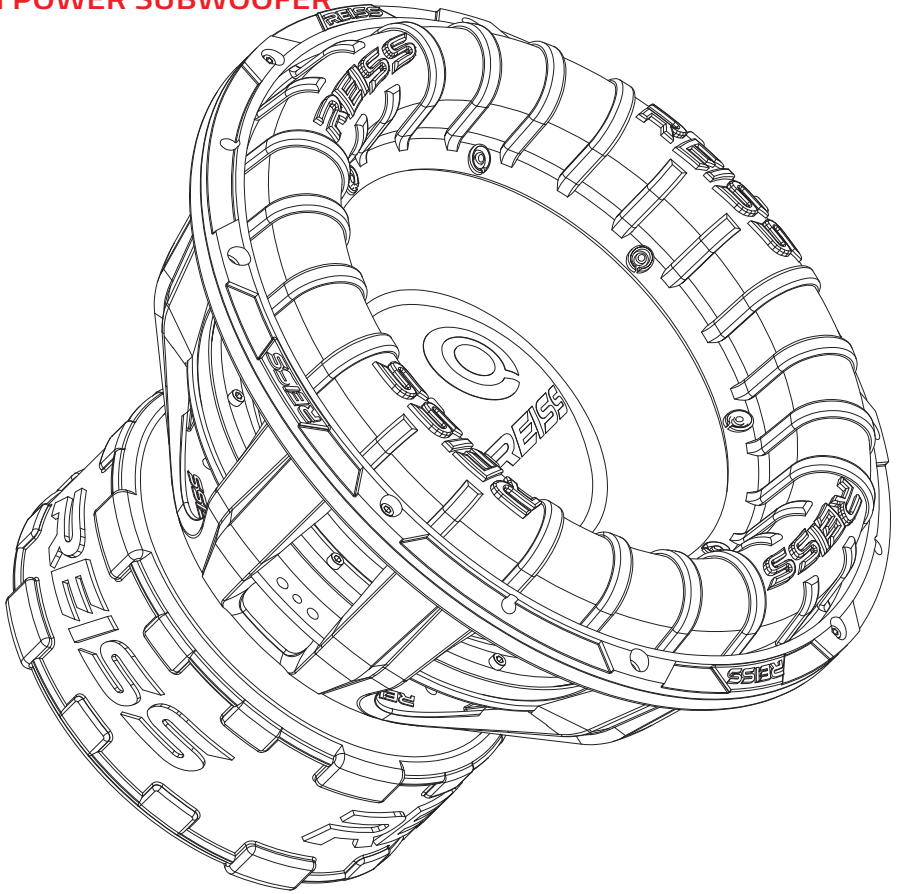




OWNER'S MANUAL

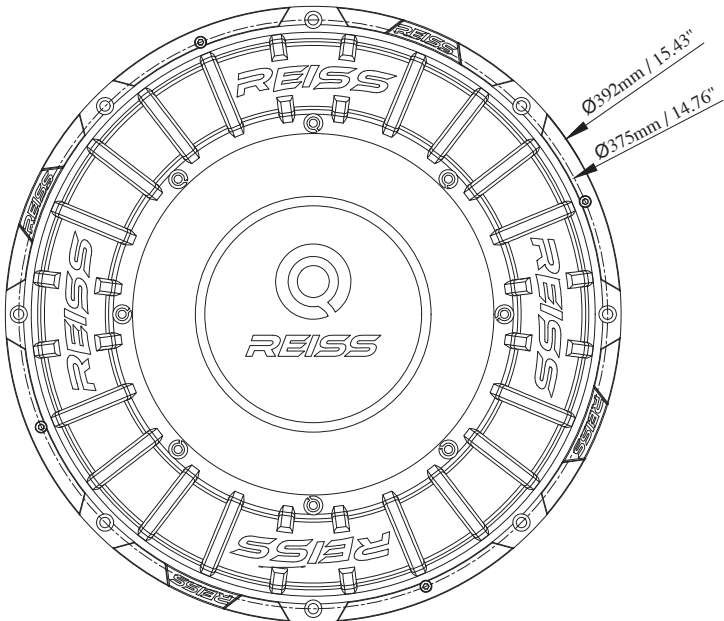
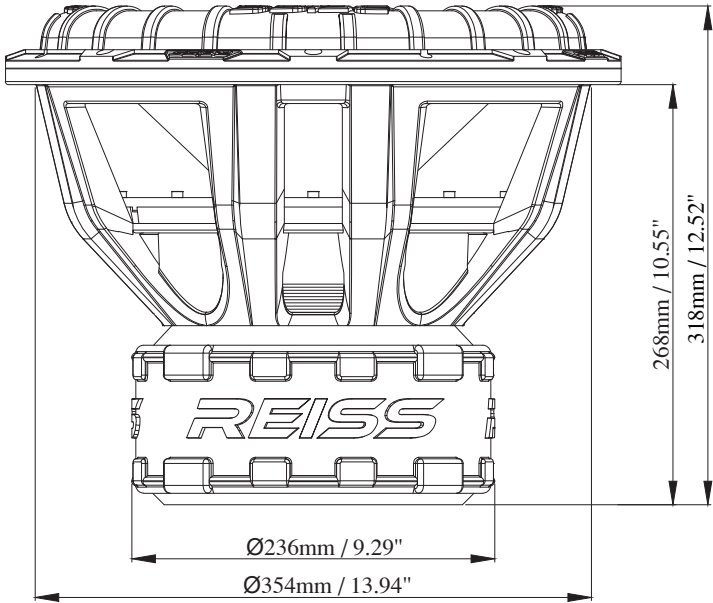
RS-SKULL15 D1

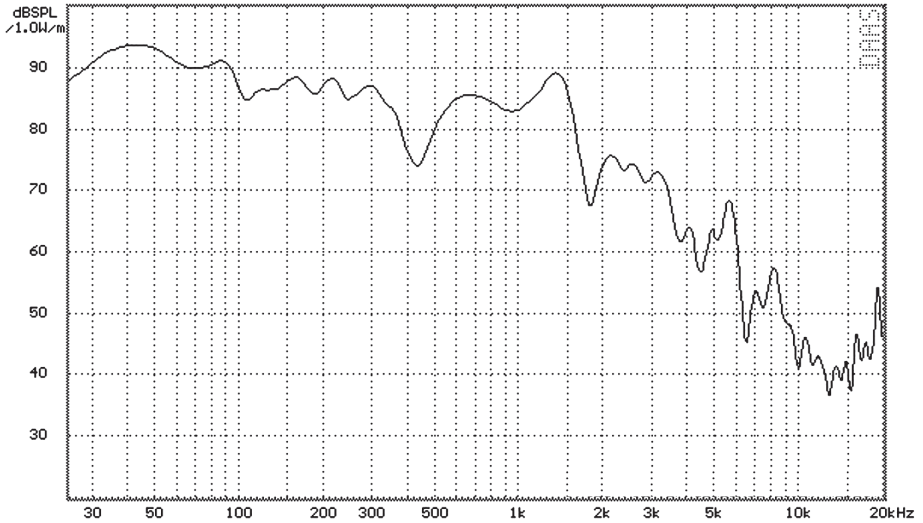
15" COMPETITION
HIGH POWER SUBWOOFER



Turkish Engineering Since 1985

RS-SKULL15 D1





SPECIFICATIONS

Nominal Diameter	15" / 381mm
Nominal Impedance	1+1 OHMS
RMS Power Handling	3000 Watts
MAX Power Handling	6000 Watts
Sensitivity(1w/1m)	87 dB
Frequency Response	20Hz - 500Hz
Recommended Lo Pass Crossover	80Hz

MOTOR

Voice Coil Diameter	3" / 76.5mm
Voice Coil Former Material	Black Aluminium
Winding Material	CCAW
Cone Material	Carbonfibre & Paper Compound
Dustcap Material	Carbonfibre
Surround Material	Foam
Basket Material	Aluminium
Basket Color / Finish	Glossy Red With Machined Aluminium
Magnet Material	Ferrite
Magnet Weight	390oz
Displacement Volume	6.191L/0.219ft ³

THIELE & SMALL PARAMETERS

Equivalent Volume	Vas	41.6L / 1.47 ft3
Free Air Resonance	Fs	24.54Hz
Mechanical Factor	Qms	2.97
Electrical Factor	Qes	0.327
Total Factor	Qts	0.294
Moving Mass	Mms	481.299g
Compliance	Cms	0.087 mm/N
BL Factor	BL	9.535 Tm
Voice Coil Inductance	Le	0.4516 mH
Diaphragm Area	Sd	692.44 CM2
DC Resistance	Re	0.8+0.8 OHM
Efficiency Bandwidth Product	EBP.....	75.06

MEASUREMENT

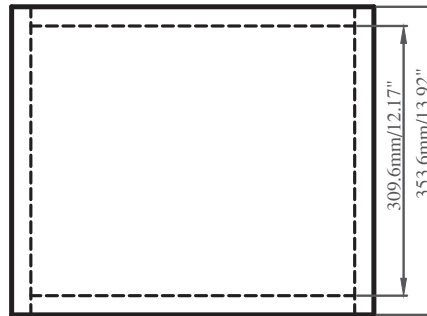
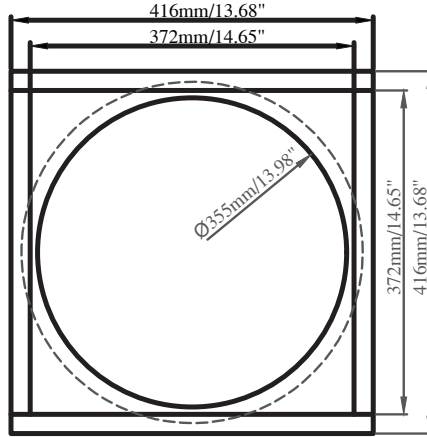
Overall Diameter	392mm / 15.43"
Overall Depth	318mm / 12.52"
Front Mount Baffle Cutout	354mm /13.94"
Mounting Depth	268mm / 10.55"
Motor Diameter	220mm / 8.66"

RECOMMENDED ENCLOSURES

Sealed Internal Volume	41.57L / 1.47ft3
Sealed Box Output Response	69.51Hz
Ported Internal Volume	76.19L / 2.69ft3
Port Size *Square (WxHxL)	30mm x 372mm x 769.6mm 1.18" x14.65" x 30.3"
Port Tuning Frequency	24.45Hz
Ported Box Output Response	24.03Hz

RECOMMENDED BOX DIMENSION

SINGLE SUBWOOFER SEALED BOX



PARAMETERS

Box External Dimensions:
(WxHxD): 416mm x 416mm x 353.6mm
/ 16.38"x 16.38"x 13.92"

Material Thickness: 22mm / 0.87"

Net Internal Volume: 41.57L / 1.47ft³

WOOD CUTS

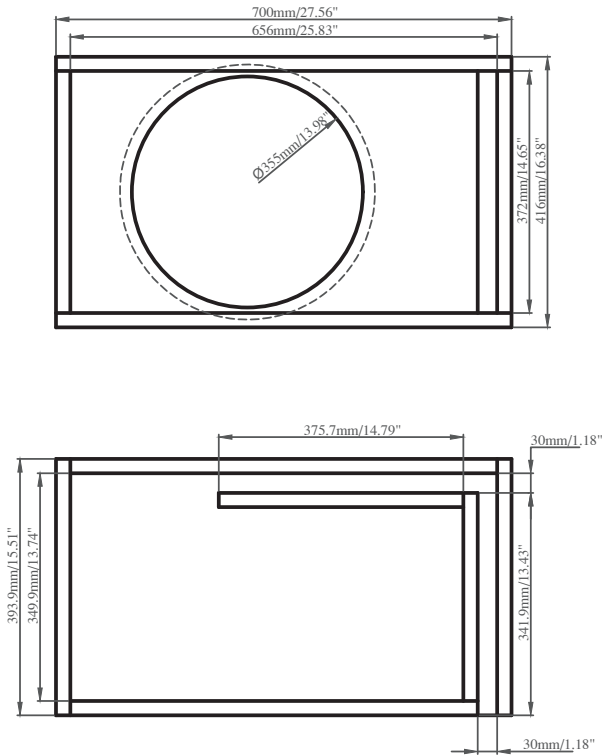
Top - Bottom
(WxH): 416mm x 353.6mm / 16.38" x 13.92" 2

Front - Rear
(WxH): 372mm x 372mm / 14.65" x 14.65" 2

Left - Right
(WxH): 372mm x 353.6mm / 14.65" x 13.92" 2

QTY

SINGLE SUBWOOFER PORTED BOX



PARAMETERS

Box External Dimensions:

(WxHxD): 700 x 416 x 393.9 mm /
27.56" x 16.38" x 15.51"

Material Thickness: 22mm / 0.87"

Net Internal Volume: 76.19L / 2.69ft3

Tuning Frequency: 24.45 Hz

Port Area: 102.57cm² / 15.9 inch²

Port Intel: 30 x 372 mm / 1.18" x 14.65"

Port Length: 769.6 mm / 30.3"

WOOD CUTS

Top - Bottom

700 x 393.9 mm / 27.56" x 15.51"

Front: 626 x 372 mm / 24.65" x 11.77"

Rear: 656 x 372 mm / 25.83" x 14.65"

Left: 393.9 x 372mm / 15.51" x 14.65"

Right: 393.9 x 372mm / 15.51" x 14.65"

Port: 341.9 x 372mm / 13.43" x 14.65"

Port: 375.7 x 372mm / 14.79" x 14.65"

QTY

2

1

1

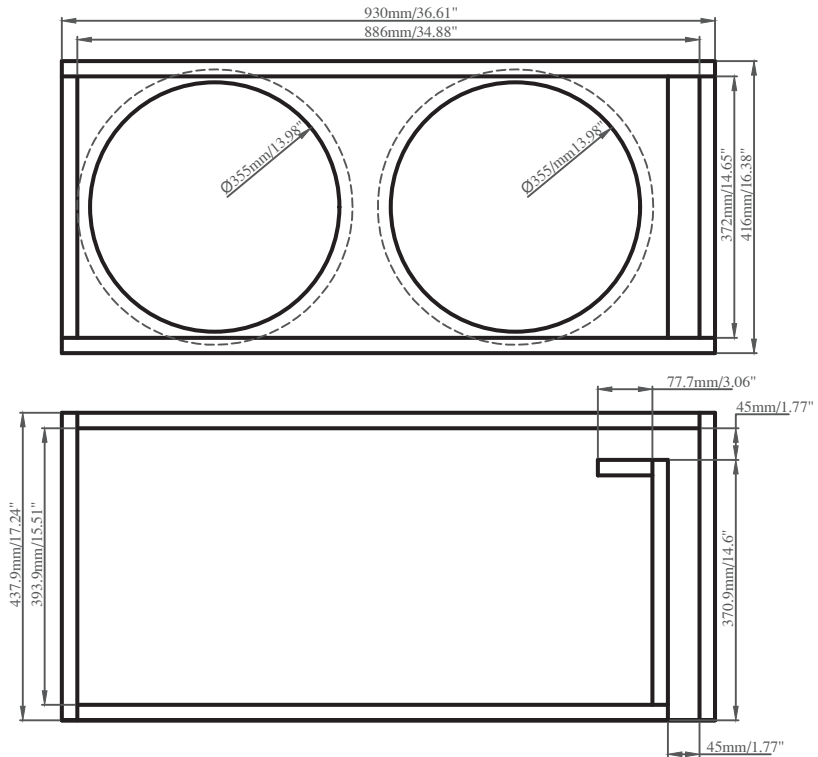
1

1

1

1

DOUBLE SUBWOOFER PORTED BOX



PARAMETERS

Box External Dimensions:

(WxHxD): $930 \times 416 \times 437.9\text{mm}$ /
 $36.61\text{"} \times 16.38\text{"} \times 17.24\text{"}$

Material Thickness: 22mm / 0.87"

Net Internal Volume: 122.38L / 4.32ft^3

Tuning Frequency: 28.11Hz

Port Area: 167.4CM^2 / 25.95inch^2

Port Intel: $45 \times 515.6\text{mm}$ / $1.77\text{"} \times 20.3\text{"}$

Port Length: 515.6mm / 20.3inch

WOOD CUTS

Top - Bottom

$930 \times 437.9\text{mm}$ / $36.61\text{"} \times 16.38\text{"}$

Front: $841 \times 372\text{mm}$ / $33.11\text{"} \times 14.65\text{"}$

Rear: $886 \times 372\text{mm}$ / $34.88\text{"} \times 14.65\text{"}$

Left: $437.9 \times 372\text{mm}$ / $17.24\text{"} \times 14.65\text{"}$

Right: $437.9 \times 372\text{mm}$ / $17.24\text{"} \times 14.65\text{"}$

Port: $370.9 \times 372\text{mm}$ / $14.6\text{"} \times 14.65\text{"}$

Port: $77.7 \times 299\text{mm}$ / $3.06\text{"} \times 14.65\text{"}$

QTY

2

1

1

1

1

1

1



**FOR MORE INFORMATION
PLEASE VISIT
www.reissaudio.com.tr**

Turkish Engineering Since 1985

REİS ELEKTRONİK SANAYİ VE TİCARET A.Ş
İstoç Toptancılar Sitesi 15. Ada No:1-3-5-7
Mahmutbey Bağcılar / İstanbul - TÜRKİYE

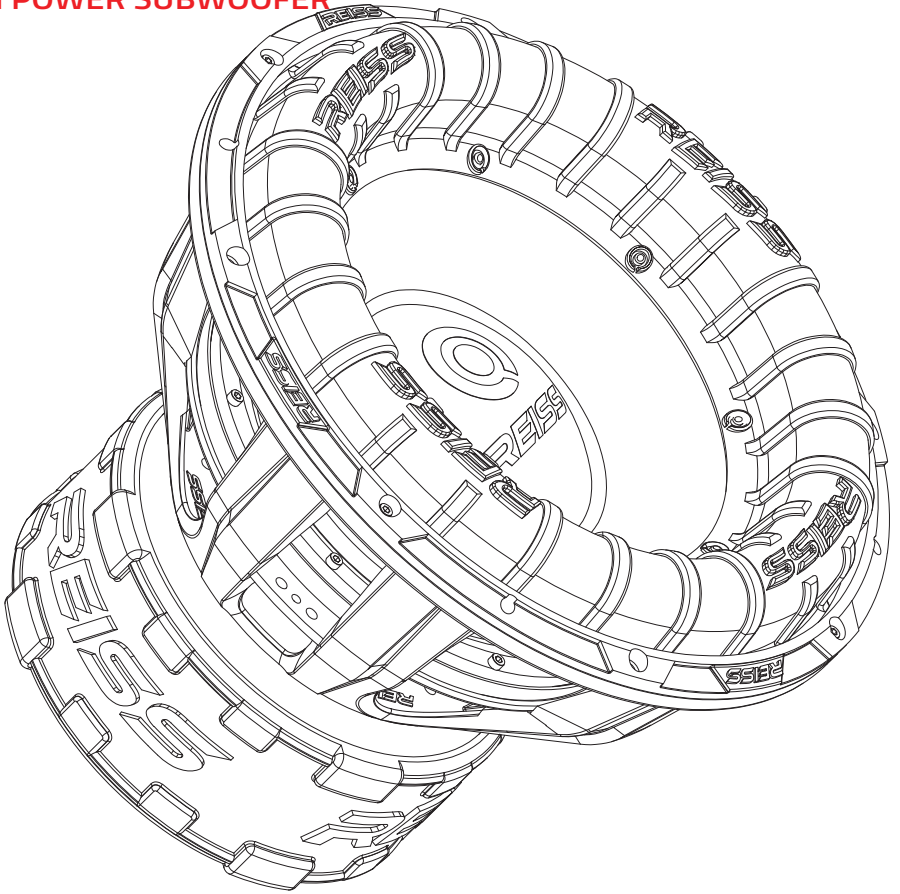


OWNER'S MANUAL

RS-SKULL15 D2

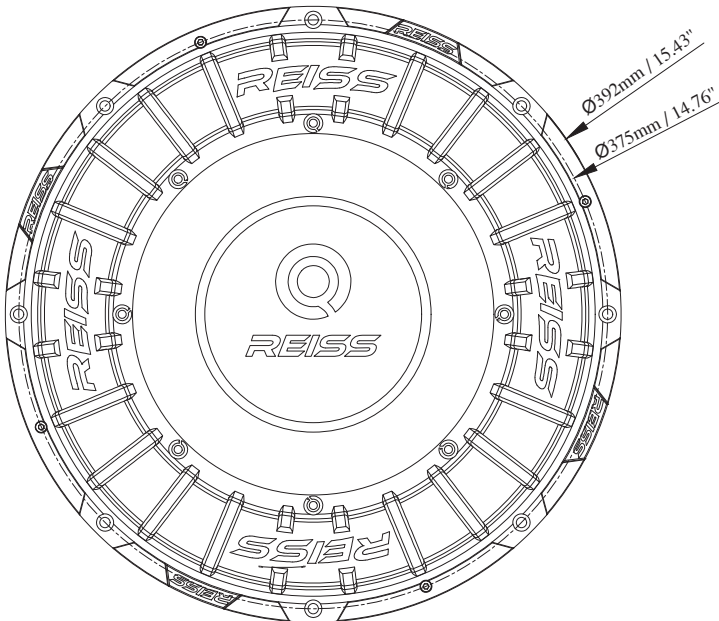
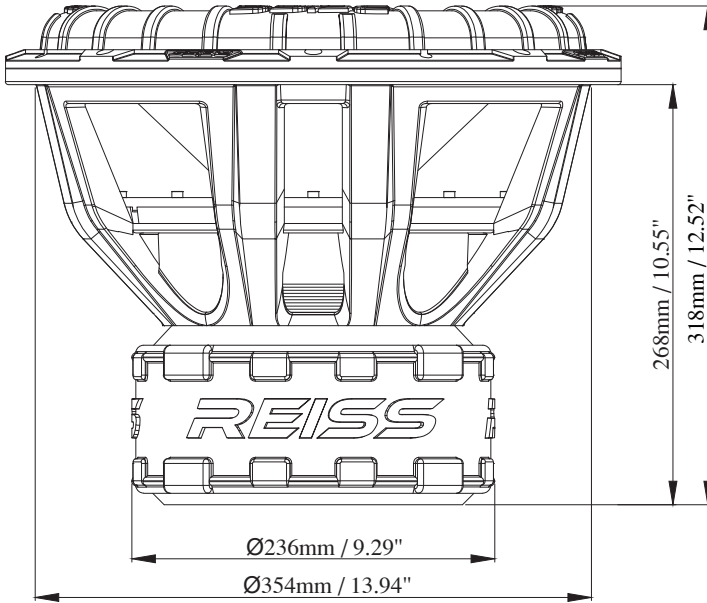
15" COMPETITION
HIGH POWER SUBWOOFER

2+2 Ω

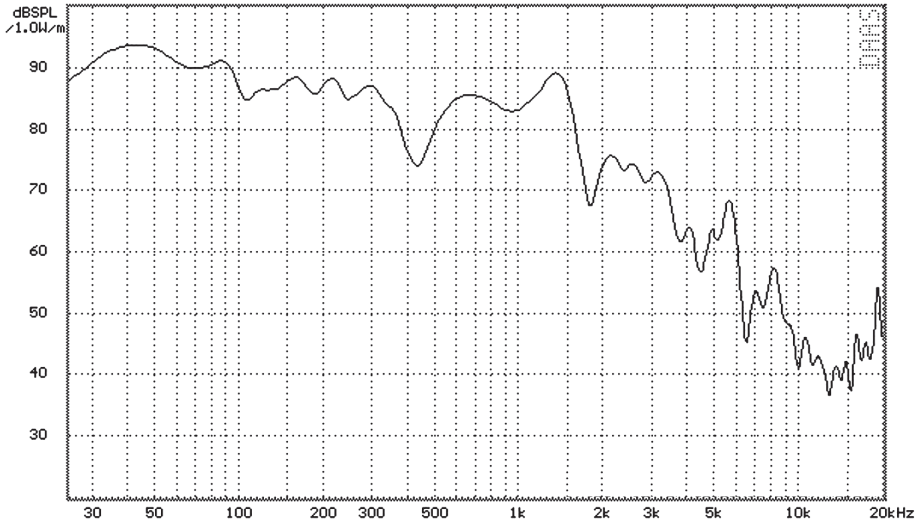


Turkish Engineering Since 1985

RS-SKULL15 D2



RS-SKULL15 D2



SPECIFICATIONS

Nominal Diameter	15" / 381mm
Nominal Impedance	2+2 OHMS
RMS Power Handling	3000 Watts
MAX Power Handling	6000 Watts
Sensitivity(1w/1m)	87 dB
Frequency Response	20Hz - 500Hz
Recommended Lo Pass Crossover	80Hz

MOTOR

Voice Coil Diameter	3" / 76.5mm
Voice Coil Former Material	Black Aluminium
Winding Material	CCAW
Cone Material	Carbonfibre & Paper Compound
Dustcap Material	Carbonfibre
Surround Material	Foam
Basket Material	Aluminium
Basket Color / Finish	Glossy Red With Machined Aluminium
Magnet Material	Ferrite
Magnet Weight	390oz
Displacement Volume	6.191L/0.219ft3

THIELE & SMALL PARAMETERS

Equivalent Volume	Vas	41.6L / 1.47 ft3
Free Air Resonance	Fs	24.54Hz
Mechanical Factor	Qms	2.97
Electrical Factor	Qes	0.327
Total Factor	Qts	0.294
Moving Mass	Mms	481.299g
Compliance	Cms	0.087 mm/N
BL Factor	BL	9.535 Tm
Voice Coil Inductance	Le	0.4516 mH
Diaphragm Area	Sd	692.44 CM2
DC Resistance	Re	1.6+1.6 OHM
Efficiency Bandwidth Product	EBP.....	75.06

MEASUREMENT

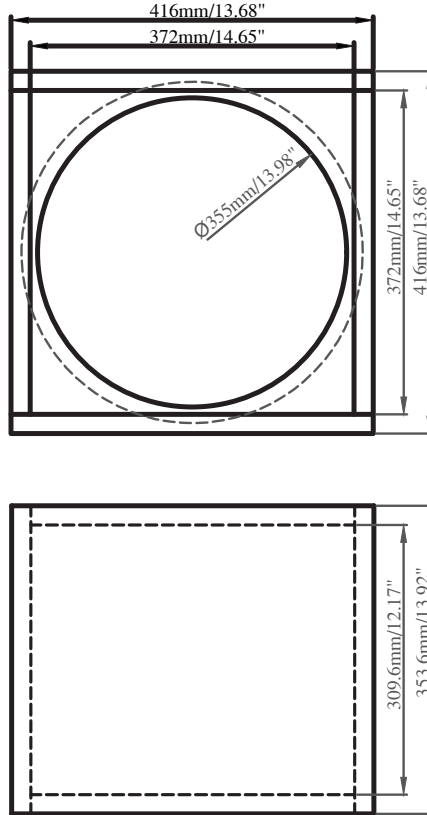
Overall Diameter	392mm / 15.43"
Overall Depth	318mm / 12.52"
Front Mount Baffle Cutout	354mm /13.94"
Mounting Depth	268mm / 10.55"
Motor Diameter	220mm / 8.66"

RECOMMENDED ENCLOSURES

Sealed Internal Volume	41.57L / 1.47ft3
Sealed Box Output Response	69.51Hz
Ported Internal Volume	76.19L / 2.69ft3
Port Size *Square (WxHxL)	30mm x 372mm x 769.6mm 1.18" x14.65" x 30.3"
Port Tuning Frequency	24.45Hz
Ported Box Output Response	24.03Hz

RECOMMENDED BOX DIMENSION

SINGLE SUBWOOFER SEALED BOX



PARAMETERS

Box External Dimensions:
(WxHxD): 416mm x 416mm x 353.6mm
/ 16.38"x 16.38"x 13.92"

Material Thickness: 22mm / 0.87"

Net Internal Volume: 41.57L / 1.47ft³

WOOD CUTS

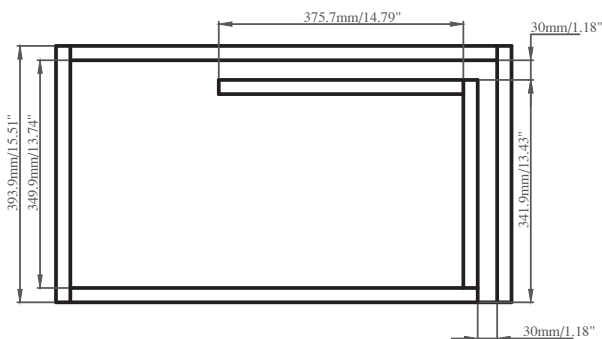
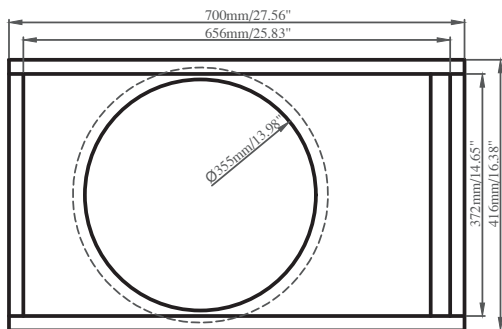
Top - Bottom
(WxH): 416mm x 353.6mm / 16.38" x 13.92" 2

Front - Rear
(WxH): 372mm x 372mm / 14.65" x 14.65" 2

Left - Right
(WxH): 372mm x 353.6mm / 14.65" x 13.92" 2

QTY

SINGLE SUBWOOFER PORTED BOX



PARAMETERS

Box External Dimensions:

(WxHxD): 700 x 416 x 393.9 mm /
27.56" x 16.38" x 15.51"

Material Thickness: 22mm / 0.87"

Net Internal Volume: 76.19L / 2.69ft3

Tuning Frequency: 24.45 Hz

Port Area: 102.57cm² / 15.9 inch²

Port Intel: 30 x 372 mm / 1.18" x 14.65"

Port Length: 769.6 mm / 30.3"

WOOD CUTS

Top - Bottom

700 x 393.9 mm / 27.56" x 15.51"

Front: 626 x 372 mm / 24.65" x 11.77"

Rear: 656 x 372 mm / 25.83" x 14.65"

Left: 393.9 x 372mm / 15.51" x 14.65"

Right: 393.9 x 372mm / 15.51" x 14.65"

Port: 341.9 x 372mm / 13.43" x 14.65"

Port: 375.7 x 372mm / 14.79" x 14.65"

QTY

2

1

1

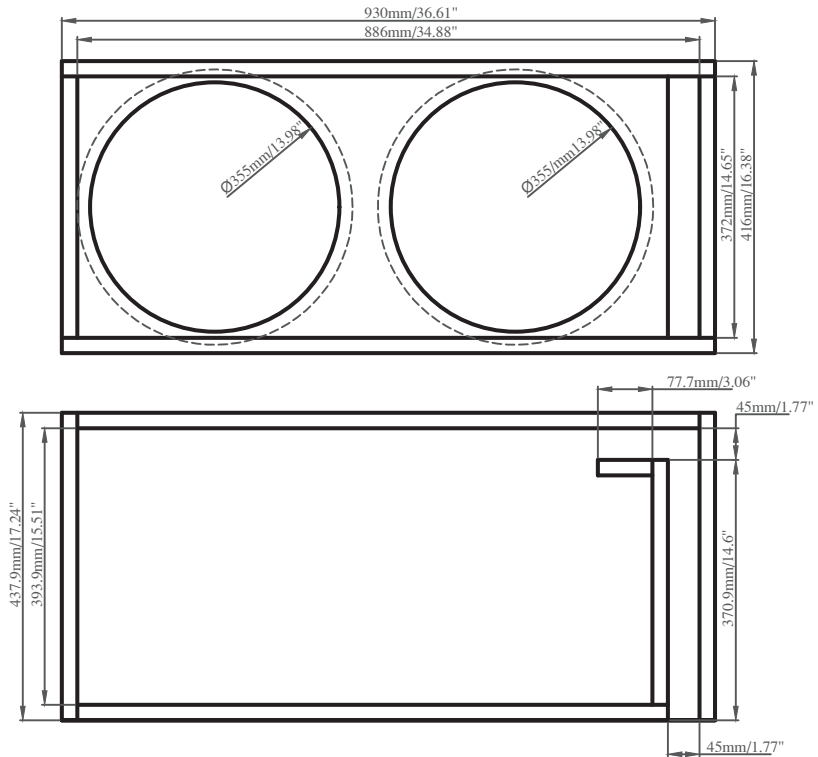
1

1

1

1

DOUBLE SUBWOOFER PORTED BOX



PARAMETERS

Box External Dimensions:

(WxHxD): $930 \times 416 \times 437.9\text{mm}$ /
 36.61' x 16.38' x 17.24'

Material Thickness: 22mm / 0.87'

Net Internal Volume: 122.38L / 4.32ft^3

Tuning Frequency: 28.11Hz

Port Area: 167.4CM^2 / 25.95inch^2

Port Intel: $45 \times 515.6\text{mm}$ / 1.77' X 20.3'

Port Length: 515.6mm / 20.3inch

WOOD CUTS

Top - Bottom

$930 \times 437.9\text{mm}$ / 36.61' x 16.38'

Front: $841 \times 372\text{mm}$ / 33.11' x 14.65'

Rear: $886 \times 372\text{mm}$ / 34.88' x 14.65'

Left: $437.9 \times 372\text{mm}$ / 17.24' x 14.65'

Right: $437.9 \times 372\text{mm}$ / 17.24' x 14.65'

Port: $370.9 \times 372\text{mm}$ / 14.6' x 14.65'

Port: $77.7 \times 299\text{mm}$ / 3.06' x 14.65'

QTY

2

1

1

1

1

1

1



**FOR MORE INFORMATION
PLEASE VISIT
www.reissaudio.com.tr**

Turkish Engineering Since 1985

REİS ELEKTRONİK SANAYİ VE TİCARET A.Ş
İstoç Toptancılar Sitesi 15. Ada No:1-3-5-7
Mahmutbey Bağcılar / İstanbul - TÜRKİYE